

JOHN DEERE

LINDEX

COMPANY, INC.

PO Box 10804 - 2302 South 1st Street

Yakima, Washington 98909

Fax (509) 457-7866

(509) 248-9261



A 450G With The Lindex Hitch And Power Take-off Operating A Rotary Tiller.

Now Available For All John Deere "G" Models Tractor Crawlers, From Lindex Inc., A Three Point Hitch For Category 2 & 3 Implements. Along With This Are Offered A Power Take Off Unit With Your Choice Of Either 540 Or 1000 RPM.

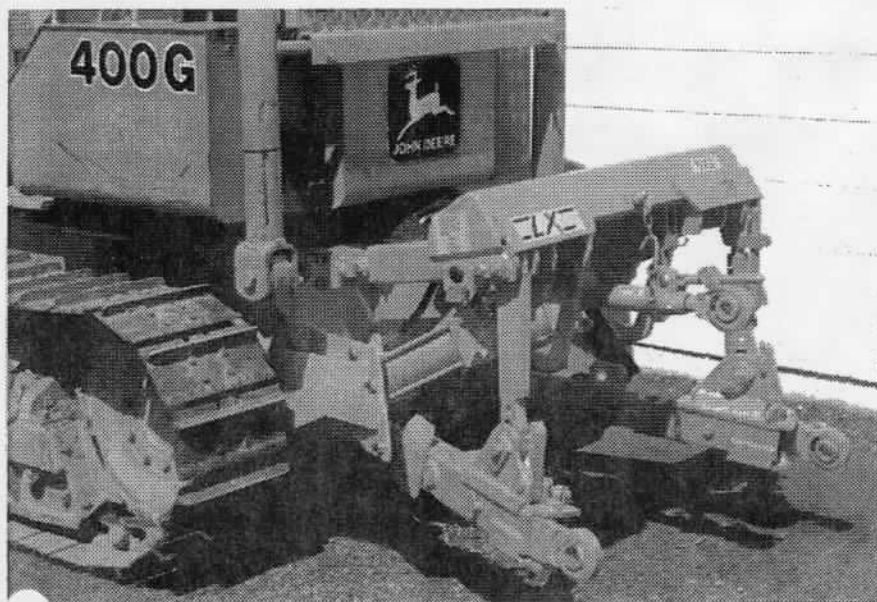
Lindex Inc., Also Has Available A Three Point Hitch For The 450C, 450E, 550, 750B, 850B Units.

The Lindex Inc., Power Take Offs Units Are Available For The 550 And 750 Units.

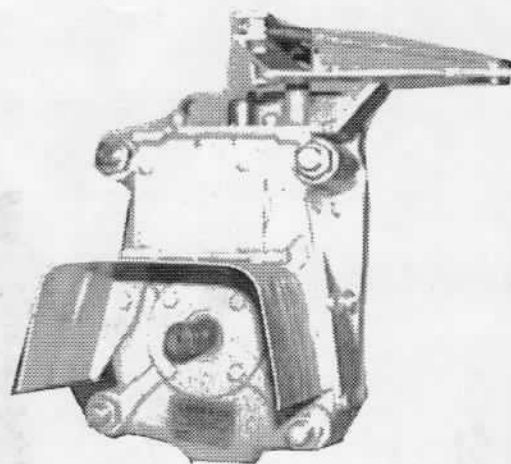
LINDEX HITCH & PTO FOR THE **JOHN DEERE CRAWLER**



A 450G EQUIPPED WITH THREE POINT HITCH AND 1000 RPM PTO UNIT



**THREE POINT HITCHES & P.T.O. AVAILABLE FOR 400G,
450G,550G,650G,450,550,650,750 & 850 MODELS**



**POWER TAKE-OFF AVAILABLE
IN 540 & 1000 RPM UNITS ON ALL "G" MODELS
ADJUSTABLE CATEGORY # 2 & 3
QUICK COUPLERS AVAILABLE**

Quick Hitch

LINDEX

COMPANY, INC.

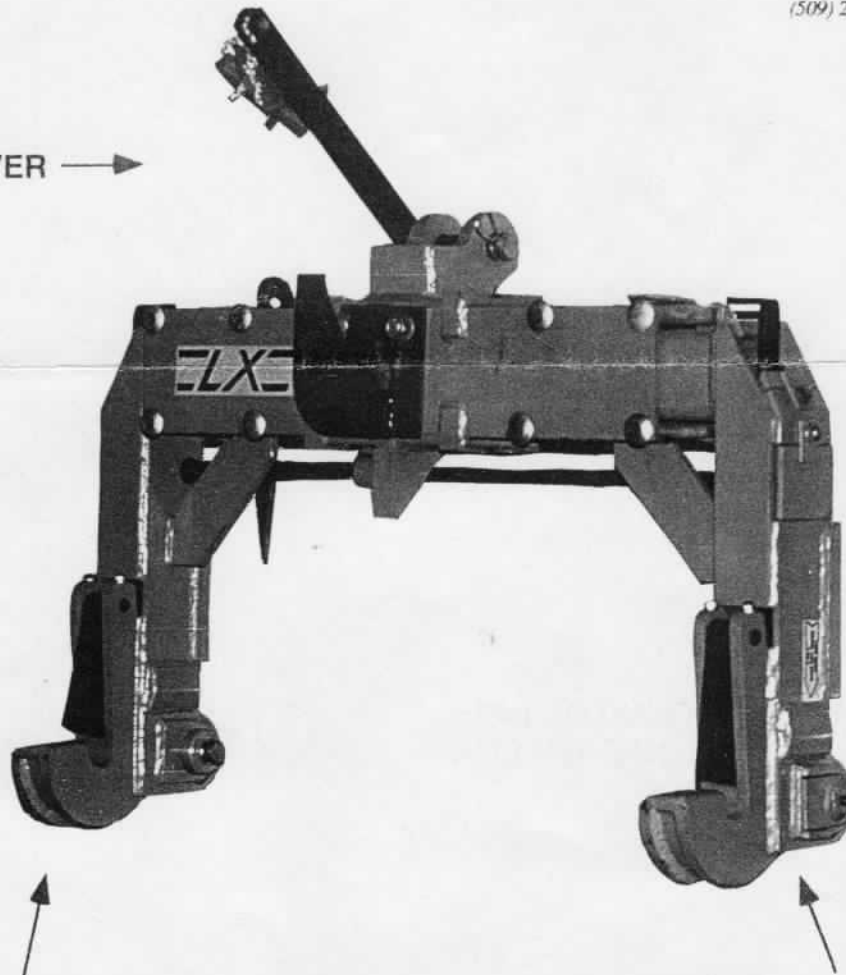
PO Box 10804 - 2302 South 1st Street

Yakima, Washington 98909

Fax (509) 457-7866

(509) 248-9261

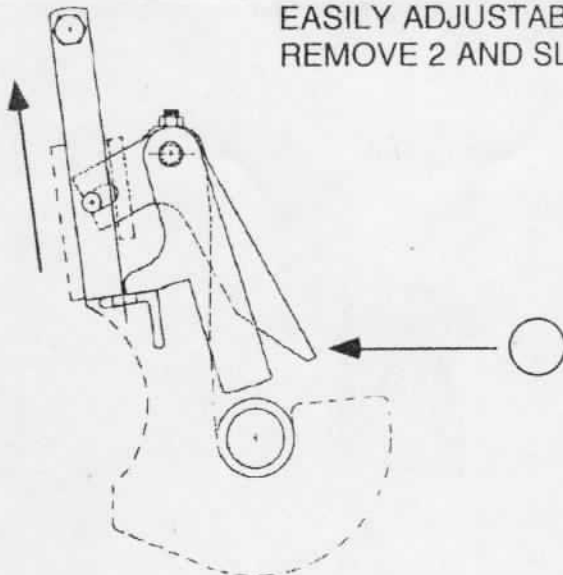
DISENGAGING LEVER →



↑
SET AT CAT. # 2

↑
SET AT CAT. # 3

EASILY ADJUSTABLE FROM CAT. 2 TO 3, BY LOOSING THE 8 BOLTS, REMOVE 2 AND SLIDE ARMS OUT REPLACE BOLT AND TIGHTEN.



THE LINDEX QUICK HITCH PROVIDES A POSITIVE LOCK FOR YOUR SAFETY.

YOU NEED NOT MOVE FROM THE DRIVERS SEAT TO UNHOOK YOUR IMPLEMENT.

ALSO AVAILABLE IN CATEGORY 3 TO 4 AND CATEGORY 3 TO 4N.

LINDEX

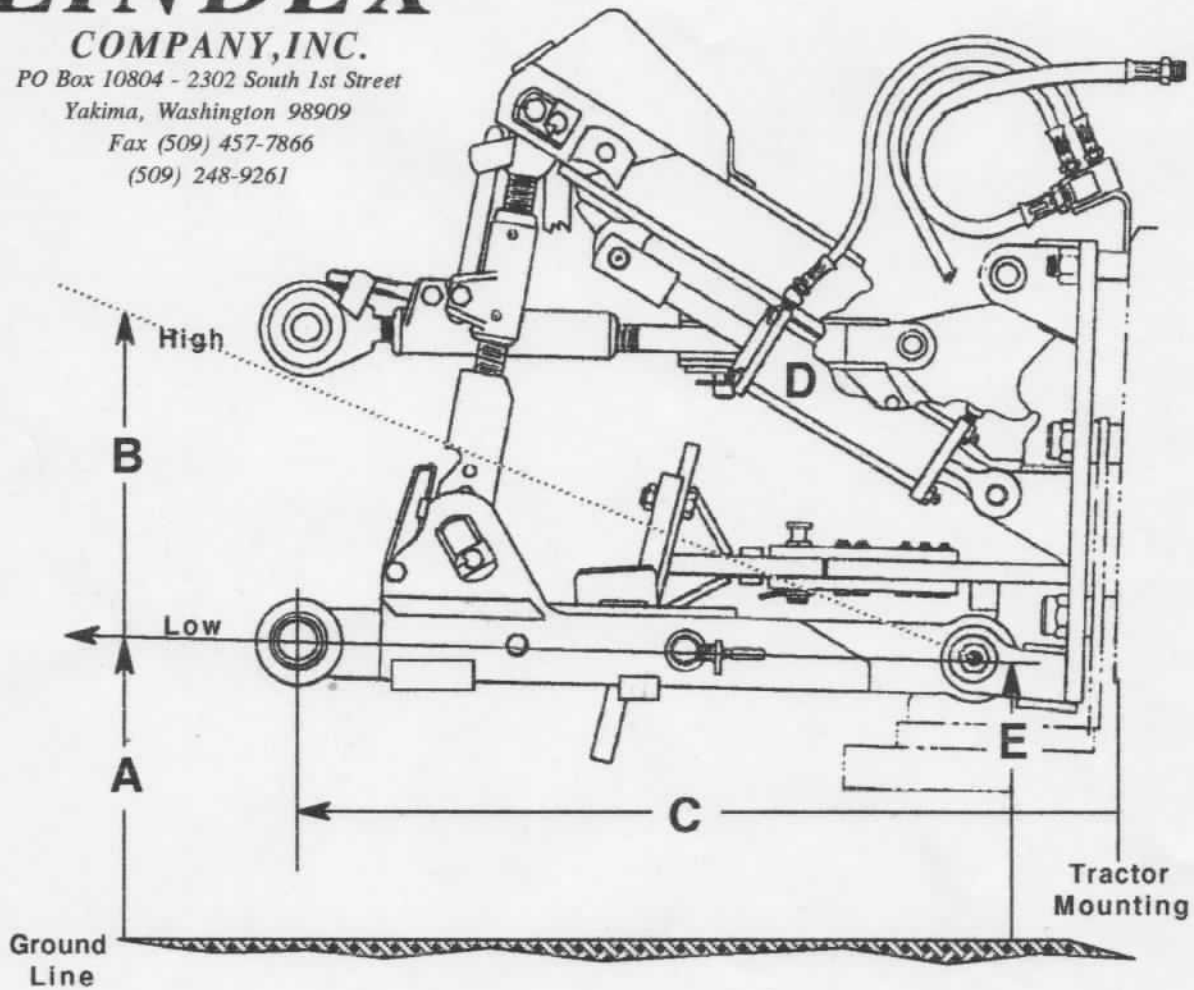
COMPANY, INC.

PO Box 10804 - 2302 South 1st Street

Yakima, Washington 98909

Fax (509) 457-7866

(509) 248-9261



	A	B	C	D	E
H-4323	9-1/4"	27"	42-1/2"	5200 lbs.	16-1/4"
H-4423		26-1/4"		5200 lbs.	19-5/16"
H-4530, H-4630	14-1/2"			6700 lbs.	22"
H-4634	9-1/4"	32-3/4"	46-1/2"	11000 lbs.	19"
CH-65	13-3/4"	32-3/4"	44-3/8"	11000 lbs.	20-1/4"
CH-75	11-1/4"	31-3/4"	43-1/2"	11000 lbs.	20-1/4"
JD-323	12"	27"	43-1/4"	5200 lbs.	19"
JD-4000	10-1/2"	28"	42-1/2"	4800 lbs.	13"

Note: Lifting capacity is based upon tractor hydraulic pressure of 2500 lb.
All dimensions are approximate.