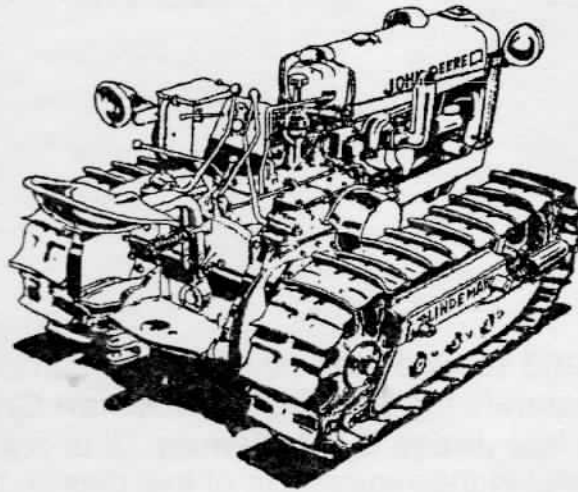


Illustrated
PARTS CATALOG



for

JOHN DEERE-LINDEMAN
MODEL-BO
CRAWLER TRACTOR

Manufactured by

JOHN DEERE-LINDEMAN COMPANY
YAKIMA, WASHINGTON

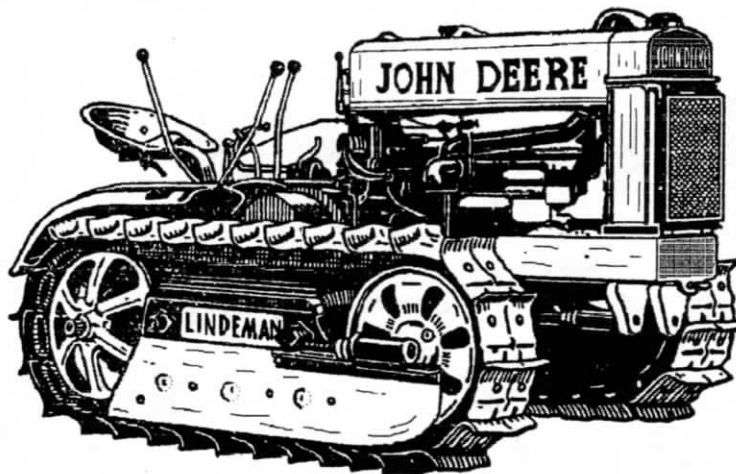
This parts and service manual has been compiled from previous parts manuals for the **"BO" Lindeman Crawler**, in memory of the late **Jesse G. Lindeman**. It is our hope that you will find it useful in the restoration of this classic tractor.

Ted E. Adams
903 So. 25th Ave.
Yakima, WA 98902
E-mail Bocrawler@Yahoo.com

SPECIFICATIONS

Lindeman-JohnDeere "BO" Crawler Tractor

1



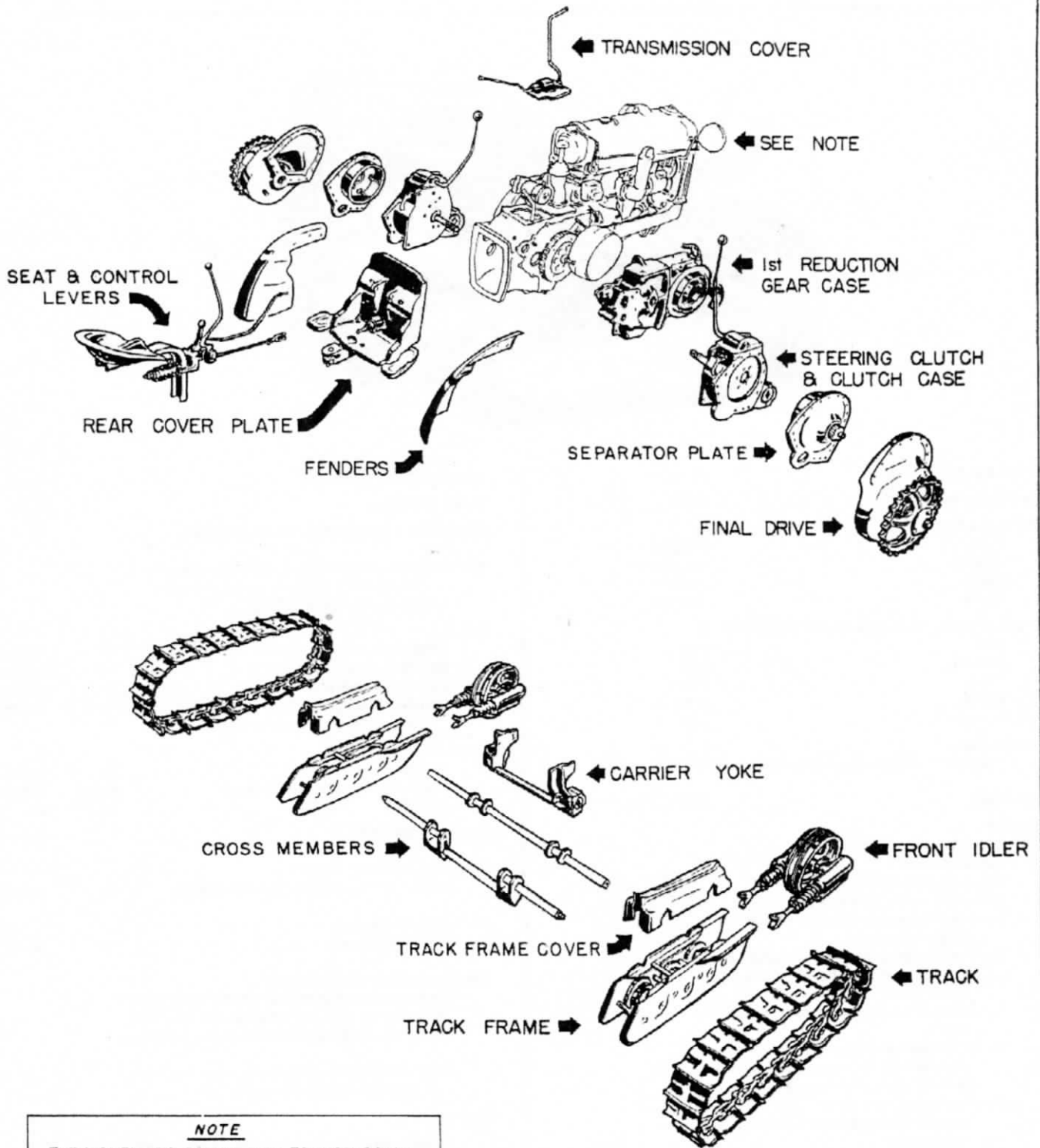
Draw Bar Horse Power-	16.16*
Belt Horse Power-	18.53
Draw Bar Pull*	
First-	4852 lbs.
Second-	3000 lbs.
Third-	2498 lbs.
Fourth-	1487 lbs.
**Speed in M.P.H. at Engine Speed of 1150 R. P. M.	
First-	1.20
Second-	1.95
Third-	2.67
Fourth-	4.00
Reverse-	1.95
Belt Pulley	
Diameter 10 5/8 inches; face 6 inches; R. P. M. 1150	
Belt Speed-	3200 R. P. M.
Engine	
Two cylinders--cast-in-block	
Valves-in-head	
Engine speed--1150 R.P.M.	
Bore--4 1/2 inches, Stroke--5 1/2 inches	
Crankshaft--special quality steel, drop forged	
2 1/2 inch crank pins.	
Bearings--2 main, bronze backed, babbitt-lined	
removable, 2 1/4 inches diameter x 2 1/2	
inches wide.	
Connecting Rods--Special quality steel drop	
forged.	
Bearings--Babbitt Centrifugally spun in rod	
2 1/2 inches in diameter x 2 inches wide	
Bronze bushings for piston pins.	
Governor--John Deere design. Enclosed fly ball	
type with 1 ball thrust and 2 Self-Adjusting	
ball bearings.	
Carburetor--Natural draft type with load and idle	
adjustment.	
Ignition--High tension magneto with enclosed	
automatic impulse starter.	
Air Cleaner--Oil-wash type	
Lubrication--Full force-feed pressure system with	
oil filter.	
Cooling--Thermo-siphon with gear and shaft- driven	
fan. (No belts or water pump)	
Fuel Tank capacity--	12 1/2 gal.

*Draw bar horse power and draw bar pounds pull calculated.

Gasoline Tank Capacity-	1 gal.
Water Capacity-	6 gal.
Clutch -Two 8 inch dry discs, locking in and out.	
Transmission -- Selective Type. Spur gears forged, cut and heat treated. Shafts operating on 3 roller, 4 tapered roller, 5 ball bearings.	
Track	
+Width of standard track shoe-	12 inches
Diameter of track shoe bolts-	5/8 inches
Diameter of track pins-	7/8 inches
Diameter of track pin bushings-	1 3/8 inches
+10" or 14" Track shoe can be furnished	
Over-All	
Length-	86 inches
Height, top of radiator cap from floor-	50 1/2 inches
Weight-	4420 lbs.
Ground Clearance-	9 inches
Length of Track on Ground	
(Center drive sprocket to center front idler)-	48 inches
Area Ground Contact	
(With ten-inch track shoes)-	960 sq. in.
Gauge --(center to center of tread)	
Standard 43" adjustable to 46" with 60" cross bar;	
46" to 60" use 72" cross bar furnished at extra cost;	
†60" to 70" use 82" cross bar furnished at extra cost;	
†Use of over 60" center to center of tread not recommended except for light work.	
Steering	
Number of friction surfaces in each steering clutch-	10
Area individual friction surface-	48 sq. in.
Total friction surface each clutch-	57 1/2 sq. in.
Draw Bar Range	
Height to C/L of hook-up clevis-	12 1/4"
Lateral movement (measured at pin)-	20 3/4"
Power Take Off	
R. P. M.-	554
Height-	15 5/8"
Size, 6-spline-	1 1/8"

**Higher and Lower Gear Ratios Can be Furnished.

EXPLODED VIEW
MODEL-BO CRAWLER TRACTOR



NOTE

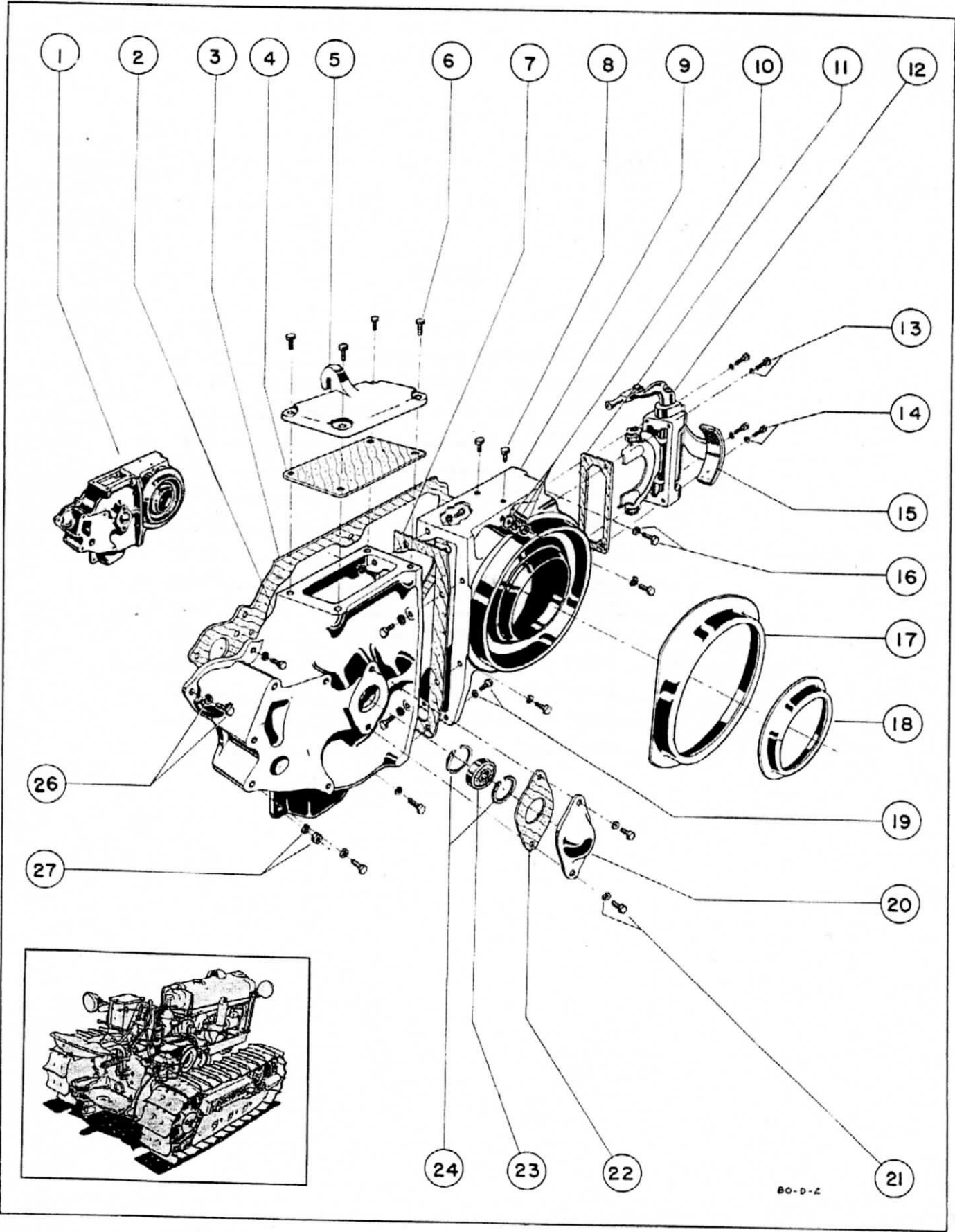
THE MODEL-BO ENGINE AND TRANSMISSION ARE NOT MANUFACTURED BY JOHN DEERE - LINDEMAN COMPANY, CONSEQUENTLY THESE PARTS ARE NOT COVERED IN THIS CATALOG. MANUALS COVERING THESE PARTS HOWEVER, ARE FURNISHED WITH EACH TRACTOR OR CAN BE OBTAINED FROM YOUR JOHN DEERE DEALER.

80-D-1

INDEX

<u>FIGURE</u>	<u>PARTS</u>	<u>PAGE</u>
1	FIRST REDUCTION GEAR CASE	1-2
2	STEERING CLUTCH CASE	3-4
3	STEERING CLUTCHES & DRIVING GEAR	5-6
4	SEPARATOR PLATE	7-8
5	FINAL DRIVE	9-10
6	REAR COVER (TRANSMISSION)	11-12
7	SEAT AND CONTROL LEVERS	13-14
8	TRANSMISSION COVER	15-16
9	FENDERS	17-18
10	POWER TAKE-OFF	17-18
11	CARRIER YOKE & CROSS MEMBERS	19-20
12	FRONT IDLER	21-22
13	TRACK FRAME	23-24
14	TRACK FRAME COVER	25-26
15	TRACK	25-26

Figure 1
FIRST REDUCTION GEAR CASE

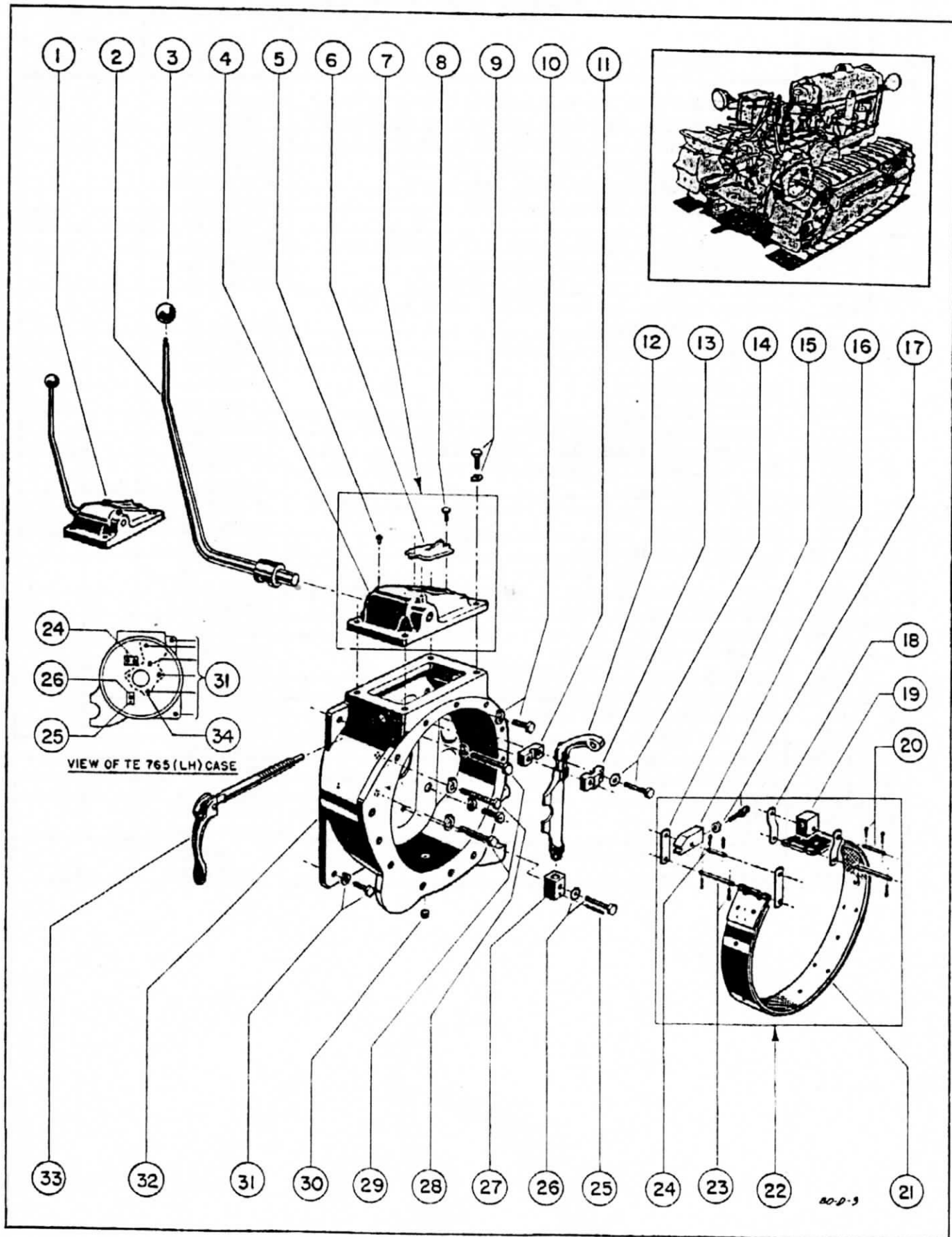


80-D-2

FIRST REDUCTION GEAR CASE

Code	Part No.	Description	Used On Serial No's.	Quant. Per Unit Inst.
1	TE1761	First Reduction Gear Case (an assembly of TE761 & TE762).....	332398 & Up	1
	TE400	First Reduction Gear Case (order John Deere No. J.D. AB1390R)...	326109-332397	1
2	TE761	First Reduction Gear Case (rear half) (incl. 20, 21, 22, 23 & 24).....	332398 & Up	1
3	TE759	Gasket between TE1761 and Tractor Transmission.....	332398 & Up	1
	TE403	Gasket between TE400 and Tractor Transmission.....	326109-332397	1
4	TE770	Gasket between TE761 and Cover TE769.....	332398 & Up	1
5	TE769	Cover for TE761.....	332398 & Up	1
6	4062	7/16 x 3/4 Hex Hd. Cap Screw (cover to TE761 attachment).....	332398 & Up	4
7	TE760	Gasket between TE761 and TE762 (1/32" thick).....	332398 & Up	1
	TE771	Gasket between TE761 and TE762 (1/64" thick).....	332398 & Up	-
8	4062	7/16 x 3/4 Hex Head Cap Screws (to plug taps for Hyd. Tool-Bar Control Case).....	332398 & Up	2
9	TE762	First Reduction Gear Case (front half).....	332398 & Up	1
10	5005	7/16 Hex Nut.....	326109 & Up	1
	8005	Plain Flat Washer.....	332398 & Up	1
	TE772	Leather Washer.....	332398 & Up	1
11	TE775	Gasket between TE762 and TE763 (order J.D. B 1855 R).....	332398 & Up	1
12	TE763	Cover Assembly, Master Clutch Throw-Out Arm.....	332398 & Up	1
13	4047	3/8 x 1-3/4 Hex Hd. Cap Screw (TE763 to TE762 attachment).....	332398 & Up	2
	5174	Split Lock Washer.....	332398 & Up	2
14	4048	3/8 x 2 Hex Head Cap Screw (TE763 to TE762 attachment).....	332398 & Up	2
	5174	Split Lock Washer.....	332398 & Up	2
15	TE776	Lining, Pulley Brake Shoe.....	332398 & Up	1
16	4065	7/16 x 1-1/4 Hex Head Cap Screw.....	332398 & Up	7
	5175	Split Lock Washer (first reduction gear case to tractor attachment)	332398 & Up	7
17	TE757	Dust Shield for Pulley (order J.D. B 1213 R).....	332398 & Up	1
18	TE755	Master Clutch Inner Shroud (order J.D. B 749 R).....	332398 & Up	1
19	4044	3/8 x 1 Hex Head Cap Screw.....	332398 & Up	5
	5174	Split Lock Washer (TE761 to TE762 attachment).....	332398 & Up	5
20	TE754	Cap, First Reduction Gear Bearing (order J.D. B 1579 R).....	326109 & Up	1
21	4020	5/16 x 1/2 Hex Head Cap Screw.....	326109 & Up	2
	5173	Split Lock Washer.....	326109 & Up	2
22	TE756	Gasket for TE754.....	326109 & Up	1
23	6850	Ball Bearing.....	326109 & Up	1
24	TE753	Snap Ring.....	326109 & Up	2
25	5005	7/16 Hex Nut.....	326109 & Up	1
	5175	Split Lock Washer.....	326109 & Up	1
26	4084	1/2 x 1 Hex Head Cap Screw.....	326109 & Up	1
	5176	Split Lock Washer.....	326109 & Up	1

Figure 2
STEERING CLUTCH CASE

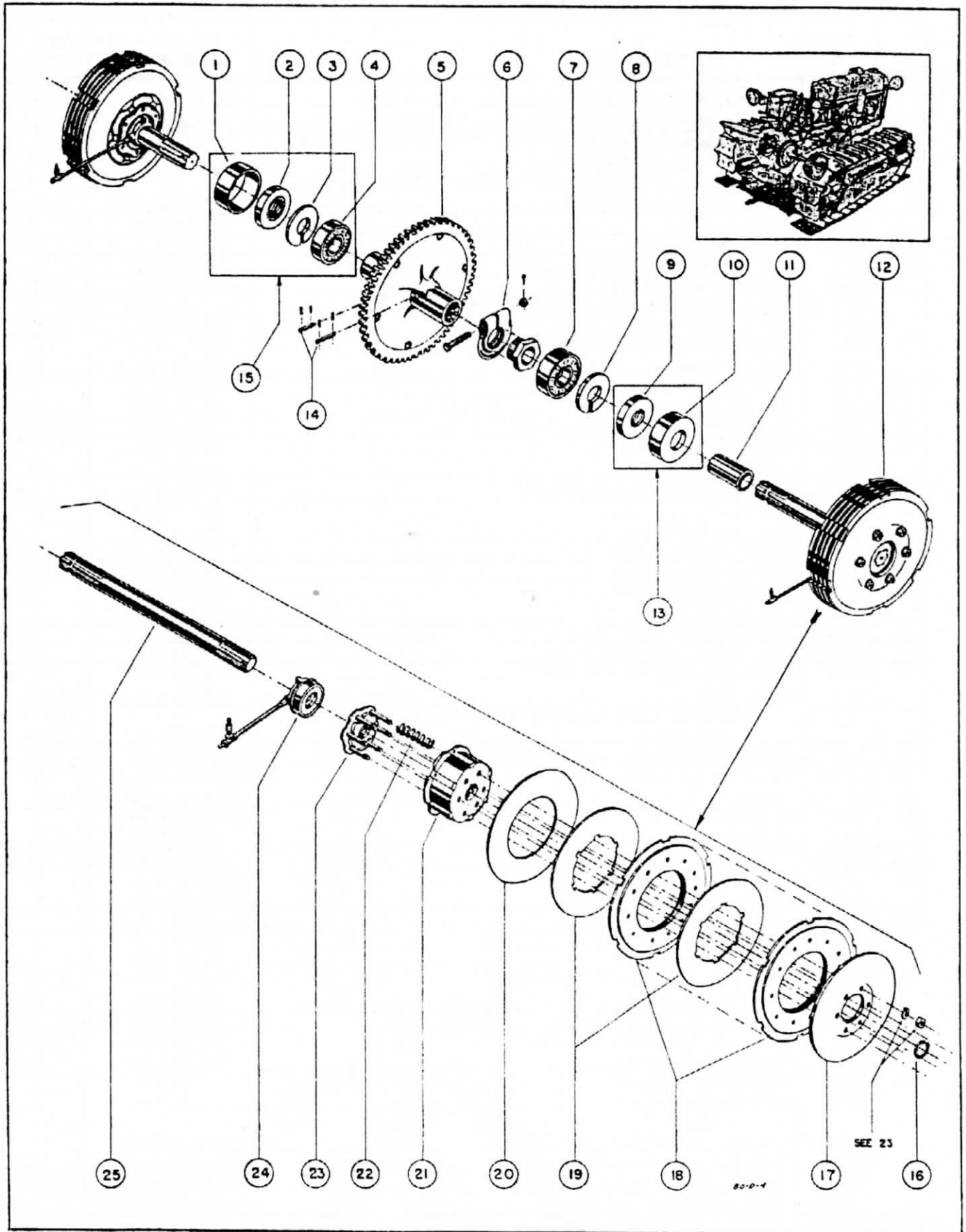


STEERING CLUTCH CASE

Code	Part No.	Description	Used On Serial No's.	Quant. Per Unit Inst.
1	TE1466	Steering Lever Assembly, R.H. (assembly of 2, 3 & 7).....	326109 & Up	1
	TE1467	Steering Lever Assembly, L.H. (assembly of 2, 3 & 7).....	326109 & Up	1
2	TE1464	Steering Lever, R.H. (Incl. Lever TE466, Sleeve TE465, Sleeve Pin TE464, and Key 5218).....	326109 & Up	1
	TE1465	Steering Lever, L.H. (Incl. Lever TE467, Sleeve TE465, Sleeve Pin TE464, and Key 5218).....	326109 & Up	1
3	9001	Knob.....	326109 & Up	1
4	TE716	Clutch Cover.....	326109 & Up	1
5	7280	5/16 Button Oiler (Alemite No. 1814).....	326109 & Up	2
6	TE720	Clutch Case Cover Cap.....	326109 & Up	1
7	TE1716	Clutch Case Cover Assembly (incl. 4, 5, 6 & 8).....	326109 & Up	1
8	4024	5/16 x 1 Hex Head Cap Screw.....	326109 & Up	2
9	4065	7/16 x 1-1/4 Hex Head Cap Screw.....	326109 & Up	4
	5178	Split Lock Washer.....	326109 & Up	4
10*	4125	5/8 x 1-1/4 Hex Head Cap Screw.....	332398 & Up	2
	5178	Split Lock Washer.....	332398 & Up	2
11	TE529	Upper Bearing Block (inboard half).....	326109 & Up	1
12	TE566	Clutch Throw-Out Arm, R.H.....	326109 & Up	1
	TE567	Clutch Throw-Out Arm, L.H.....	326109 & Up	1
13	TE534	Upper Bearing Block (outboard half).....	326109 & Up	1
14	TE526	Cap Screw.....	326109 & Up	2
	5196	Star Lock Washer.....	326109 & Up	2
15	TE545	Brake Band Strap (aft).....	326109 & Up	2
16	TE538	Connecting Link Head.....	326109 & Up	1
17	TE539	Connecting Link Screw.....	326109 & Up	1
	TE525	Jam Nut.....	326109 & Up	1
18	TE544	Brake Band Strap (forward).....	326109 & Up	2
19	TE449	Brake Adjustment Screw Block.....	326109 & Up	1
20	TE550	Connecting Strap Pin (forward).....	326109 & Up	1
	5271	Cotter Pin.....	326109 & Up	2
21	TE1541	Brake Band, with Lining (Incl. Band TE541, Lining TE542 & Rivets (17) 9010).....	326109 & Up	1
22	1542	Brake Band Assembly (Incl. 15, 16, 17, 18, 19, 20, 21, 22 & 23).....	326109 & Up	1
23	TE543	Brake Band Pin (long).....	326109 & Up	2
	5271	Cotter Pin.....	326109 & Up	4
24	TE551	Connecting Strap Pin (aft).....	326109 & Up	1
	5271	Cotter Pin.....	326109 & Up	2
25	TE522	Pin for Lower Bearing Block.....	326109 & Up	1
26	TE528	Cap Screw for Lower Bearing Block.....	326109 & Up	1
	5198	Star Lock Washer.....	326109 & Up	1
27	TE535	Lower Bearing Block.....	326109 & Up	1
28*	TE750	Cap Screw (special).....	326109 & Up	1
	5178	Split Lock Washer.....	326109 & Up	1
29*	4138	5/8 x 5 Hex Head Cap Screw.....	326109 & Up	2
	5178	Split Lock Washer.....	326109 & Up	2
30	7082	1/2" Drain Plug (not required).....	326109 & Up	1
31	4127	5/8 x 1-3/4 Hex Head Cap Screw.....	326109 & Up	2
	5178	Split Lock Washer.....	326109 & Up	2
32	TE765	Steering Clutch Case, L.H.....	332398 & Up	1
	TE766	Steering Clutch Case, R.H.....	332398 & Up	1
		(shown)		
	TE703	Steering Clutch Case, L.H.....	326109-331716	1
	TE704	Steering Clutch Case, R.H.....	326109-331716	1
	TE703A	Steering Clutch Case, L.H.....	331717-332397	1
	TE704A	Steering Clutch Case, R.H.....	331717-332397	1
33	TE1562	Parking Brake Lever & Screw.....	326109 & Up	1
34	TE705	Gasket for TE703, TE703A & TE765.....	326109 & Up	1
	TE706	Gasket for TE704 & TE704A.....	326109-332397	1

*TE766 only

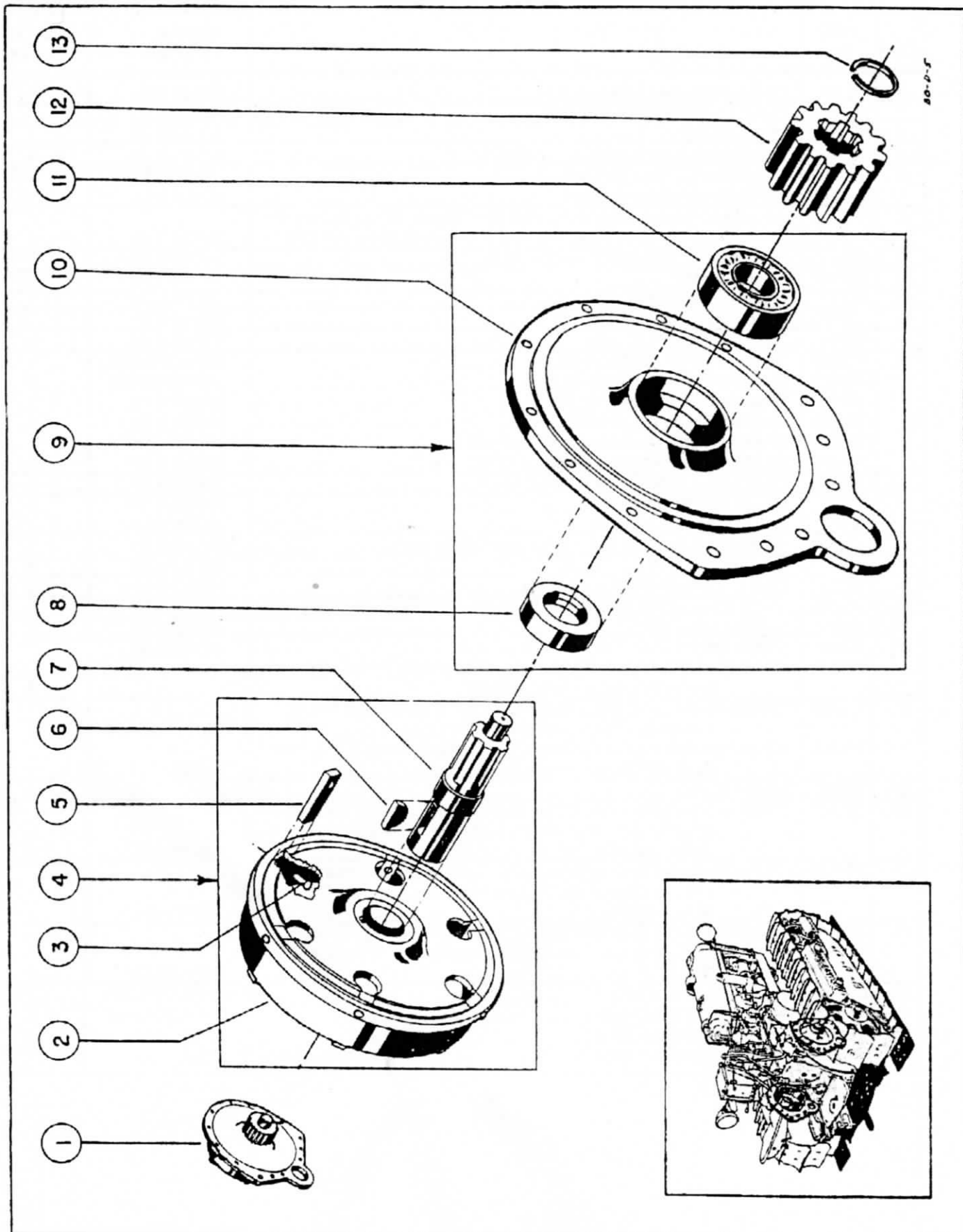
Figure 3
STEERING CLUTCHES & DRIVING GEAR



STEERING CLUTCHES & DRIVING GEAR

Code	Part No.	Description	Used On Serial No's.	Quant. Per Unit Inst.
1	TE708	Clutch Shaft Seal Retainer, L.H.	326109 & Up	1
2	5853	Grease Seal (Garlock No. 758)	326109 & Up	1
3	TE710	Drain Washer	326109 & Up	1
4	6860	Ball Bearing (New Departure No. E208)	326109 & Up	1
5	TE1700	Clutch Driving Gear (keyed)	326109-333600	1
	TE1740	Clutch Driving Gear (splined)	333601 & Up	1
6	TE1739	Adjustment Nut Assembly (R.H. only) (Incl. Spacer TE737, Spacer Nut TE739, Bolt TE736, Slotted Nut 5105, and Cotter Pin 5271)	326109 & Up	1
7	6860	Ball Bearing (New Departure No. E208)	326109 & Up	1
8	TE710	Drain Washer	326109 & Up	1
9	5853	Grease Seal (Garlock No. 758)	326109 & Up	1
10	TE702	Clutch Shaft Seal Retainer (R.H.)	326109 & Up	1
11	TE701	Tubular Dowel, R.H. only	326109 & Up	1
12	TE1502	Steering Clutch Assembly (R.H.)	326109-333600	1
	TE1503	Steering Clutch Assembly (L.H.)	326109-333600	1
	TE1504	Steering Clutch Assembly (R.H.)	333601 & Up	1
	TE1505	Steering Clutch Assembly (L.H.)	326601 & Up	1
	TE1501	Steering Clutch Assembly (without shaft)	326109-333600	1
	TE1509	Steering Clutch Assembly (without shaft)	333601 & Up	1
13	TE1702	Clutch Shaft Retainer (R.H.) (with seal)	326109 & Up	1
14	TE741	Clutch Driving Gear Pin	333601 & Up	2
	5271	Cotter Pin	333601 & Up	4
15	TE1708	Clutch Shaft Retainer (L.H.) (with bearing and seal)	326109 & Up	1
16	5748	External Snap Ring	326109 & Up	1
17	TE553	Clutch Pressure Plate	326109 & Up	1
18	TE1548	Clutch Plate, Driven (Incl. Plate TE548, Linings TE546, and Rivets 9010)	326109 & Up	5
19	TE547	Clutch Plate, Driving	326109 & Up	5
20	TE509	Clutch Driving Hub Plate	326109 & Up	1
	TE549	Clutch Plate, Inboard Driving (use only with old style TE1508 which has large flange, not illustrated)		1
21	TE1508	Clutch Hub (with keys) (Incl. Clutch Driving Hub (keywayed) TE508, Hub Keys TE513, and Rivets 7437)	326109-333600	1
	TE1510	Clutch Hub (with keys) (Incl. Clutch Driving Hub (splined) TE510, Hub Keys TE513, and Rivets 7437)	333601 & Up	1
22	TE523	Clutch Spring	326109 & Up	6
23	TE1530	Clutch Bearing Retainer Assembly (Incl. Clutch Throw-Out Bearing Retainer TE530, Clutch Spring Studs TE524, Hex Nuts (reg.) 5024, and split Lock Washers 5174)	326109 & Up	1
24	TE1554	Clutch Throw-Out Bearing Assembly (Incl. Cap & Bearing Assembly TE1532, Grease Line TE2554, Pipe Plug 7013, and Close Nipple 7011)	326109-331717	1
24	TE1533	Clutch Throw-Out Bearing Assembly (Incl. Cap & Bearing Assembly TE1532, Grease Line TE2533, Pipe Plug 7013, and Close Nipple 7011)	331718 & Up	1
25	TE502	Driving Gear Shaft (R.H.)	326109-333600	1
	TE503	Driving Gear Shaft (L.H.)	326109-333600	1
	TE504	Driving Gear Shaft (R.H.)	333601 & Up	1
	TE505	Driving Gear Shaft (L.H.)	333601 & Up	1

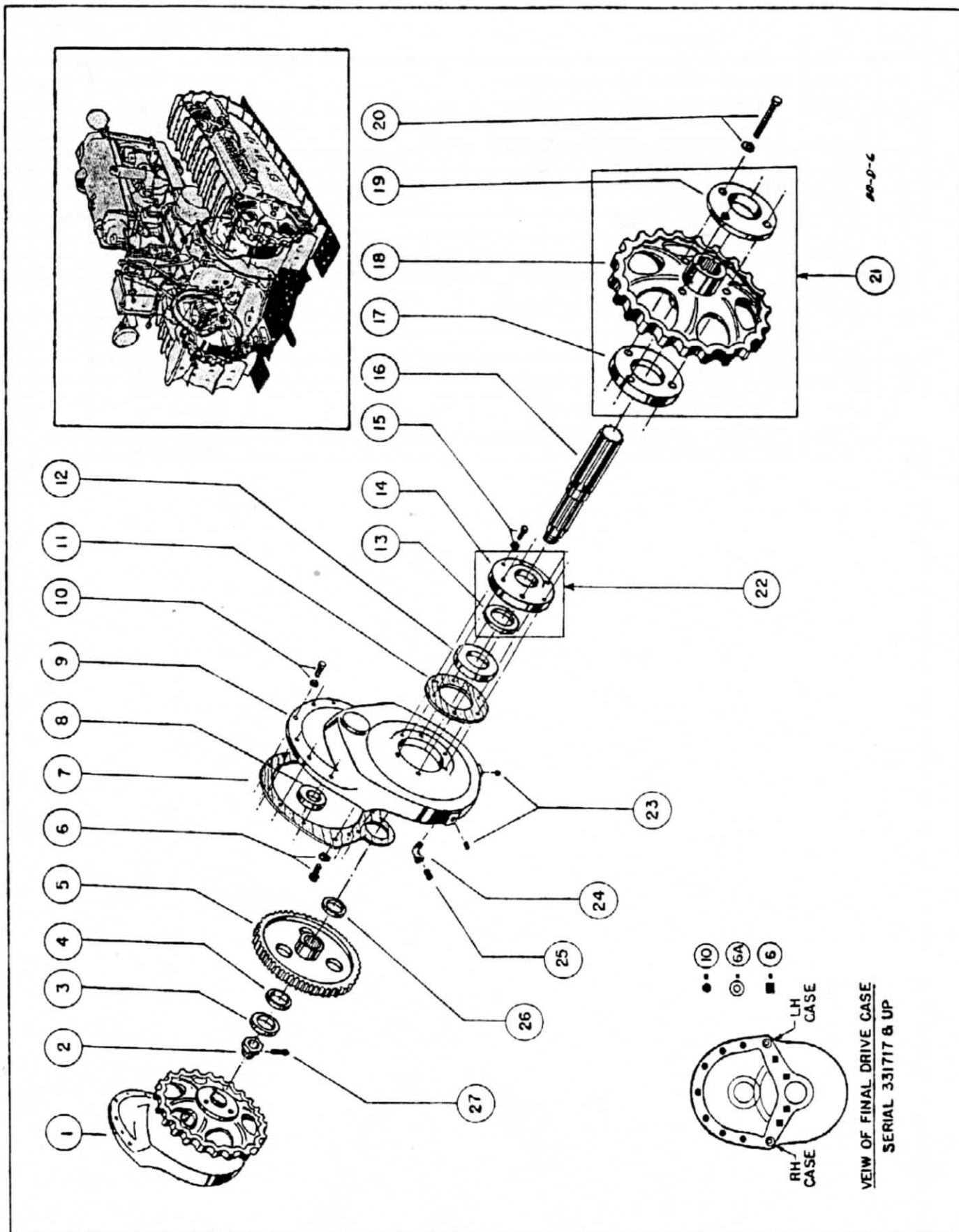
Figure 4
SEPARATOR PLATE



SEPARATOR PLATE

Code	Part No.	Description	Used On Serial No's.	Quant. Per Unit Inst.
1	TE1720 TE1718	Separator Plate Assembly (complete)..... Separator Plate Assembly (complete).....	326109-331716 331717 & Up	2 per trac. 2 per trac.
2	TE511 TE1511	Brake Drum (without keys or pinion shaft)..... Brake Drum (with keys and without pinion shaft).....	326109 & Up 326109 & Up	1 1
3	7738	1 x 1/4 Flush Head Rivet.....	326109 & Up	6
4	TE1512	Brake Drum Assembly (Incl. 2, 3, 5, 6 & 7).....	326109 & Up	1
5	TE514	Brake Drum Key.....	326109 & Up	6
6	5230	Woodruff Key.....	326109 & Up	1
7	TE512	Pinion Shaft.....	326109 & Up	1
8	5867	Grease Seal (Garlock No. 1057).....	326109 & Up	1
9	TE1719 TE1717	Separator Assembly (Incl. 8, 11 & 12)..... Separator Assembly (Incl. 8, 11 & 12).....	326109-331716 331717 & Up	1 1
10	TE719 TE717	Separator Casting..... Separator Casting.....	326109-331716 331717 & Up	1 1
11	6830	Ball Bearing.....	326109 & Up	1
12	TE731 TE733 TE735	Final Drive Pinion Gear (17 tooth)..... Final Drive Pinion Gear (20 tooth)..... Final Drive Pinion Gear (16 tooth).....	326109 & Up Special Special	1
13	5747	External Snap Ring.....	326109 & Up	1

Figure 5
FINAL DRIVE

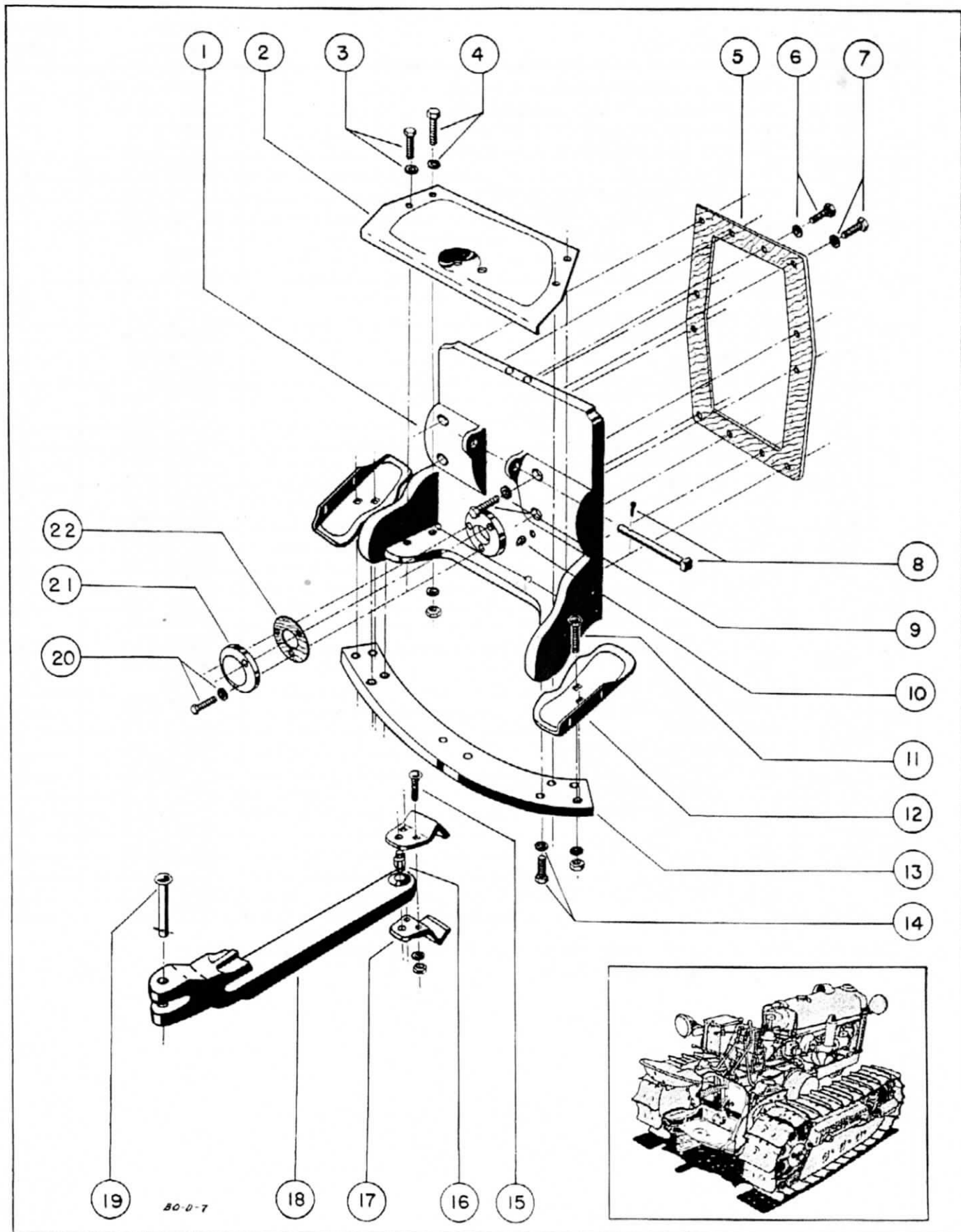


Final Drive

Code	Part No.	Description	Used On Serial No's.	Quant. Per Unit Inst.
1	TE1715	Final Drive Assembly (less drive Sprocket).....	326109-331716	2 Per Trac- tor
	TE1721	Final Drive Assembly (with drive Sprocket).....	326109-331716	
	TE1709	Final Drive Assembly (less drive Sprocket).....	331717 & Up	
	TE1710	Final Drive Assembly (with drive Sprocket).....	331717 & Up	
2	TE727	Final Drive Gear Nut.....	326109 & Up	1
3	6810	Ball Bearing (New Departure No. 1208).....	326109 & Up	1
4	TE725	Final Drive Shaft Spacer (inboard).....	326109 & Up	1
5	TE730	Final Drive Gear (63 tooth).....	326109 & Up	1
	TE732	Final Drive Gear (60 tooth).....	Special	
	TE734	Final Drive Gear (64 tooth).....	Special	
6*	4128	5/8 x 2 Hex Head Cap Screw.....	331717 & Up	5
	5178	Split Lock Washer (see 6A).....	331717 & Up	5
6A	TE712	Stud for Final Drive Case.....	326109 & Up	1
	5008	5/8 Hex Nut.....	326109 & Up	1
	5178	Split Lock Washer.....	326109 & Up	1
7	TE721	Gasket for TE719 (separator plate).....	326109-331716	1
	TE718	Gasket for TE717 (separator plate).....	331717 & Up	1
8	6840	Ball Bearing.....	326109 & Up	1
9	TE709	Final Drive Casting.....	326109-331716	1
	TE709A	Final Drive Casting.....	331717 & Up	1
10	4067	7/16 x 1-3/4 Hex Head Cap Screw.....	326109 & Up	7
	5174	Split Lock Washer.....	326109 & Up	7
11	TE715	Gasket for TE714.....	326109 & Up	1
12	6870	Ball Bearing.....	326109 & Up	1
13	5878	Grease Seal.....	326109 & Up	1
14	TE714	Final Drive Shaft Seal Retainer.....	326109 & Up	1
15	4047	3/8 x 1-3/4 Hex Head Cap Screw.....	326109 & Up	6
	5174	Split Lock Washer.....	326109 & Up	6
16	TE724	Final Drive Shaft (60"-72" width).....	326109 & Up	1
	TE722	Final Drive Shaft (82" width).....	Special	
17	TE53	Rear Sprocket Plate (inboard).....	326109 & Up	1
18	TE55	Rear Sprocket.....	326109 & Up	1
19	TE52	Rear Sprocket Plate (outboard).....	326109 & Up	1
20	4136	5/8 x 4 Hex Head Cap Screw.....	326109 & Up	3
21	TE1055	Rear Sprocket Complete.....	326109 & Up	1
22	TE1714	Final Drive Seal Retainer (with seal).....	326109 & Up	1
23	7082	Flush Pipe Plug.....	331717 & Up	2
24	7073	Street Elbow, 90° 1/2 PT.....	331717 & Up	1
25	7081	Pipe Plug, 1/2 PT.....	331717 & Up	1
26	TE726	Final Drive Gear Spacer (outboard).....	326109 & Up	1
27	5296	Cotter Key.....	326109 & Up	1

* Note: Prior to 331717, only the 4 center bolts are No. 6, the two end ones are studs, upper one is TE711 and lower one is TE712.

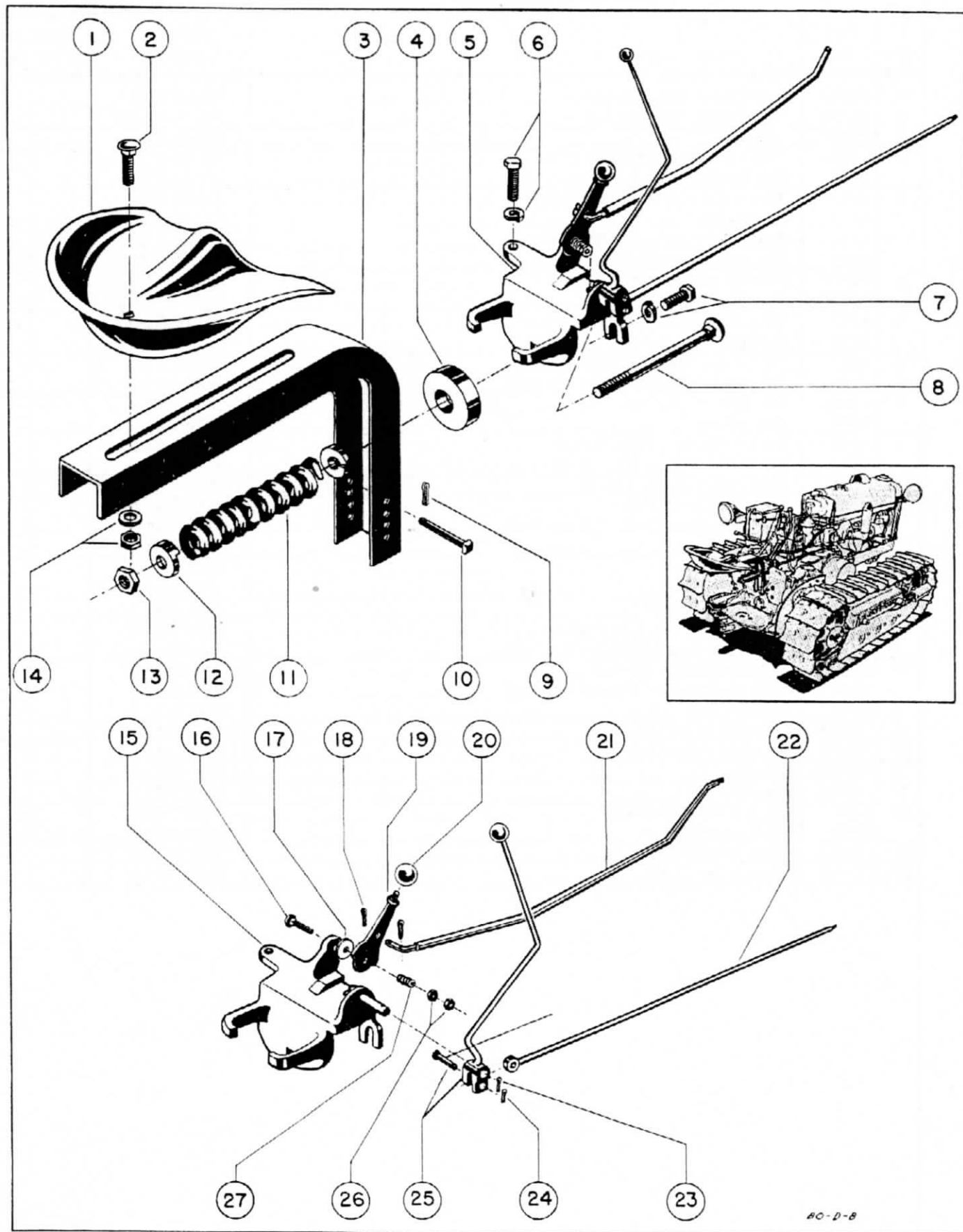
Figure 6
REAR COVER (TRANSMISSION)



REAR COVER (TRANSMISSION)

Code	Part No.	Description	Used On Serial No's.	Quant. Per Unit Inst.
1	TE767	Rear Cover, Transmission.....	332398 & Up	1
	TE401	Rear Cover, Transmission.....	326109-332397	1
2	TE480	Footplate.....	326109 & Up	1
3	4062	7/16 x 3/4 Hex Head Cap Screw.....	326109 & Up	2
	5145	Flat Washer.....	326109 & Up	2
4	4047	3/8 x 1-3/4 Hex Head Cap Screw.....	326109 & Up	2
	5145	Flat Washer.....	326109 & Up	2
	5174	Split Lock Washer (fits 3/8 dia. bolt).....	326109 & Up	2
	5004	Hex Reg. Nut 3/8".....	326109 & Up	2
5	TE407	Rear Cover Gasket.....	332398 & Up	1
	TE402	Rear Cover Gasket.....	326109-332397	1
6	4086	1/2 x 1-1/2 Hex Head Cap Screw.....	326109 & Up	7
	5176	Split Lock Washer (fits 1/2 dia. bolt).....	326109 & Up	7
7	4087	1/2 x 1-3/4 Hex Head Cap Screw.....	326109 & Up	1
	5176	Split Lock Washer (fits 1/2 dia. bolt).....	326109 & Up	1
8	TE491	Pin for Seat Channel.....	326109 & Up	1
	5271	Cotter Key.....	326109 & Up	1
9	4128	5/8 x 2 Hex Head Cap Screw.....	326109 & Up	4
	5178	Split Lock Washer (fits 5/8 dia. bolt).....	326109 & Up	4
10	7011	Pipe Plug 1/8 Pipe Thread.....	326109 & Up	1
11	3638	5/8 x 4 Carriage Bolt.....	334515 & Up	4
	5178	Split Lock Washer (fits 5/8 dia. bolt).....	334515 & Up	4
	5008	5/8 Hex Reg. Nut.....	334515 & Up	4
12	TE476	Footrest, R.H.....	334515 & Up	1
	TE477	Footrest, L.H.....	334515 & Up	1
13	TE432	Drawbar Segment.....	326109 & Up	1
14	4148	3/4 x 2 Hex Head Cap Screw.....	326109 & Up	4
	5179	Split Lock Washer (fits 3/4 dia. bolt).....	326109 & Up	4
15	3633	5/8 x 2-3/4 Carriage Bolt.....	326109 & Up	4
	5178	Split Lock Washer (fits 5/8 dia. bolt).....	326109 & Up	4
	5008	5/8 Hex Reg. Nut.....	326109 & Up	4
16	TE436	Drawbar Pivot Pin.....	326109 & Up	1
17	TE437	Drawbar Pivot Plate.....	326109 & Up	2
18	TE2430	Drawbar.....	326109 & Up	1
19	TE445	Drawbar Pin.....	326109 & Up	1
20	4045	3/8 x 1-1/4 Cap Screw.....	326109 & Up	3
	5174	Split Lock Washer.....	326109 & Up	3
21	TE406	Rear Cover Cap Trans.....	326109 & Up	1
22	TE408	Gasket for TE406.....	326109 & Up	1

Figure 7
SEAT & CONTROL LEVERS

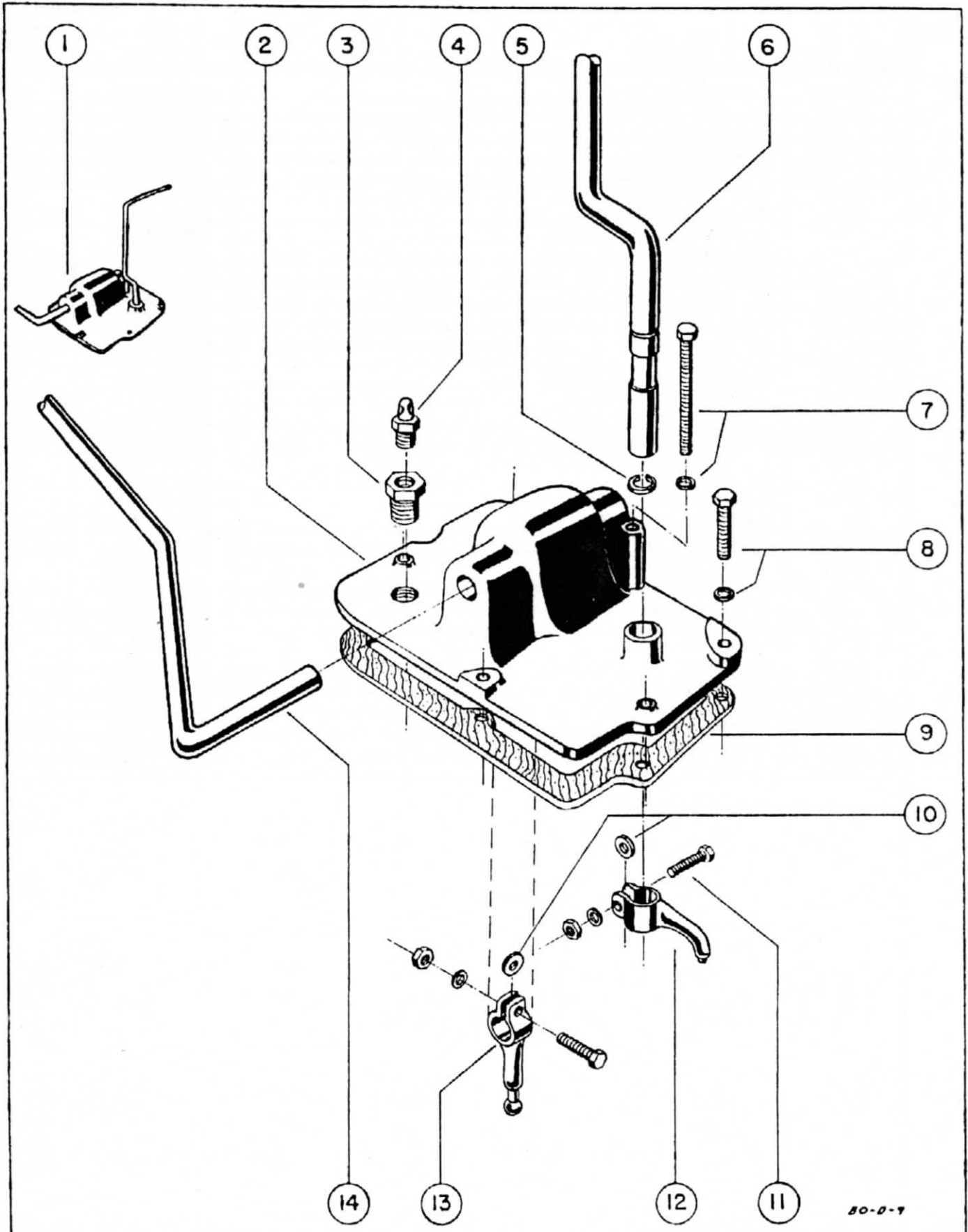


HC-D-8

SEAT & CONTROL LEVERS

Code	Part No.	Description	Used On Serial No's.	Quant. Per Unit Inst.
1	TE487	Seat (order JD No. 1606R).....	326109 & Up	1
2	3560	1/2 x 2 Carriage Bolt.....	326109 & Up	1
3	TE486	Seat Channel.....	326109 & Up	1
4	TE494	Rubber Bushing.....	326109 & Up	1
5	TE1768	Throttle Bracket Assy.....	332398 & Up	1
6	4086	1/2 x 1-1/2 Hex Cap Screw.....	332398 & Up	2
	5176	Split Lock Washer.....	332398 & Up	2
7	4087	1/2 x 1-3/4 Hex Cap Screw.....	332398 & Up	1
	5176	Split Lock Washer.....	332398 & Up	1
8	3653	5/8 x 9-1/2 Carriage Bolt.....	326109 & Up	1
9	5271	Cotter Key.....	326109 & Up	1
10	TE491	Pin.....	326109 & Up	1
11	TE488	Spring.....	326109 & Up	1
12	TE483	Cast Washer.....	326109 & Up	2
13	5008	Hex Nut (regular) for 5/8" bolt.....	326109 & Up	1
14	5006	Hex Nut (for 1/2" bolt).....	326109 & Up	1
	5156	Flat Washer (for 1/2" bolt).....	326109 & Up	1
15	TE2768	Bracket for Clutch and Throttle Levers.....	332398 & Up	1
16	TE85	Throttle Friction Bolt.....	326109--332397	1
	3496	Throttle Friction Bolt.....	332398 & Up	1
17	TE83	Friction Washer (leather).....	326109 & Up	1
	TE84	Friction Washer (steel).....	326109-332397	1
18	5262	Cotter Key.....	326109 & Up	2
19	TE82	Throttle Lever.....	326109-332397	1
	TE2080	Throttle Lever.....	332398 & Up	1
20	9001	Knob.....	332398 & Up	1
21	TE2087	Throttle Rod.....	332398 & Up	1
22	TE88	Clutch Rod.....	326109-332397	1
	TE95	Clutch Rod.....	332398 & Up	1
23	5292	Cotter Key.....	332398 & Up	1
24	5271	Cotter Key.....	332398 & Up	1
25	TE94	Clutch Lever.....	332398 & Up	1
26	5054	Hex Jam Nut.....	332398 & Up	2
27	TE86	Throttle Spring.....	332398 & Up	1

Figure 8
TRANSMISSION COVER



Transmission Cover

Code	Part No.	Description	Used On Serial No's.	Quant. Per Unit Inst.
1	TE1420	Transmission Cover Assembly.....	326109 & Up	1
2	TE420	Transmission Cover.....	326109 & Up	1
3	7118	Pipe Bushing (3/4 MPT, 1/8 FPT).....	326109 & Up	1
4	7270	Air Vent, 1/8 P.T. (Alemite No. G131532).....	326109 & Up	1
5	5783	5/8 Snap Ring (square).....	326109 & Up	1
6	TE92	Overdrive Lever.....	326109 & Up	1
7	4053	3/8" x 3-1/2" Hex Head Cap Screw.....	326109 & Up	1
	5174	Split Lock Washer (for 3/8" bolt).....	326109 & Up	1
8	4044	3/8" x 1" Hex Head Cap Screw.....	326109 & Up	5
	5174	Split Lock Washer (for 3/8" bolt).....	326109 & Up	5
9	TE774	Gasket for TE420.....	326109 & Up	1
10	TE423	Spacers.....	326109 & Up	2
11	4046	3/8" x 1-1/2" Hex Head Cap Screw.....	326109 & Up	2
	5174	Split Lock Washer (for 3/8" Bolt).....	326109 & Up	2
	5004	3/8 Hex Nut (regular).....	326109 & Up	2
12	TE422	Shifter Overdrive.....	326109 & Up	1
13	TE421	Shifter Low & Reverse.....	326109 & Up	1
14	TE91	Gear Shift Lever.....	326109 & Up	1

Figure 9
FENDERS

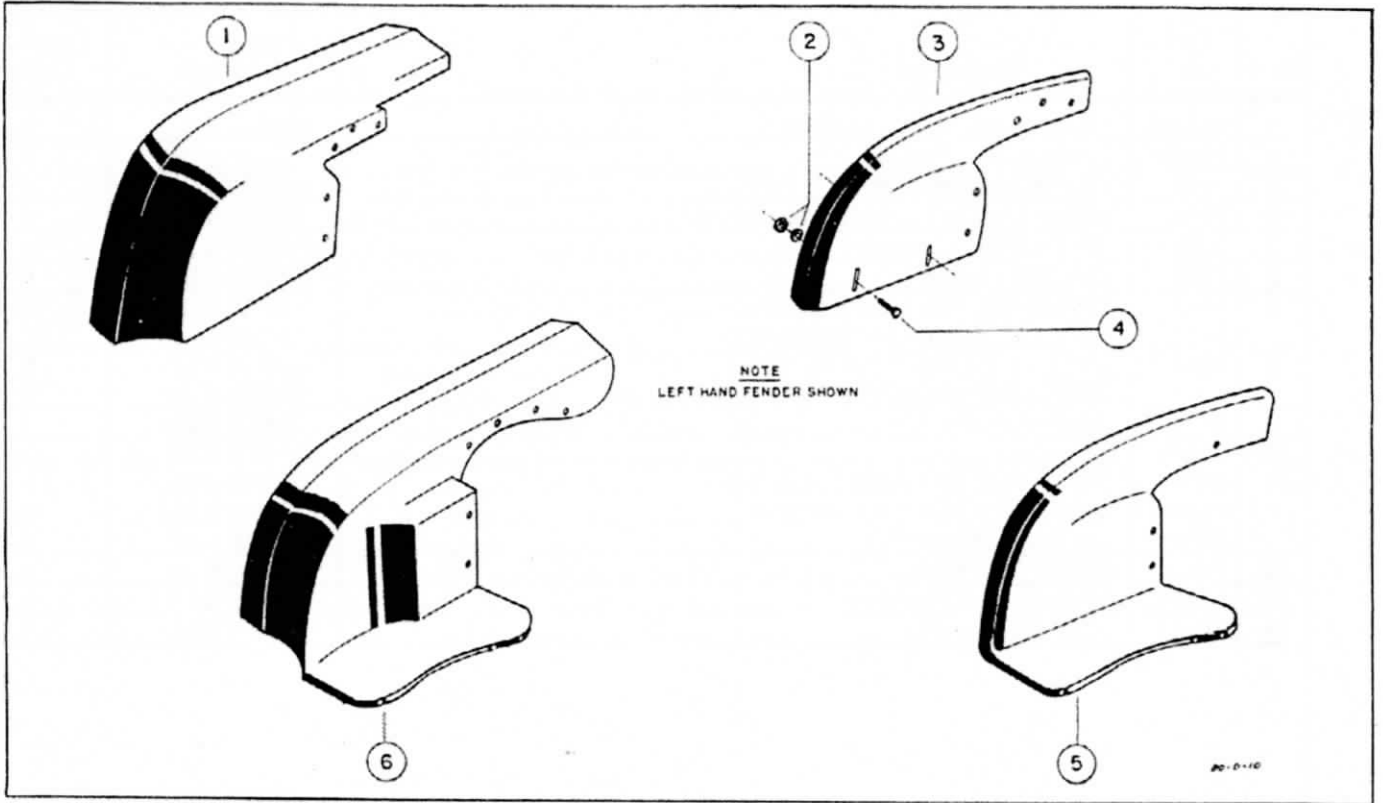
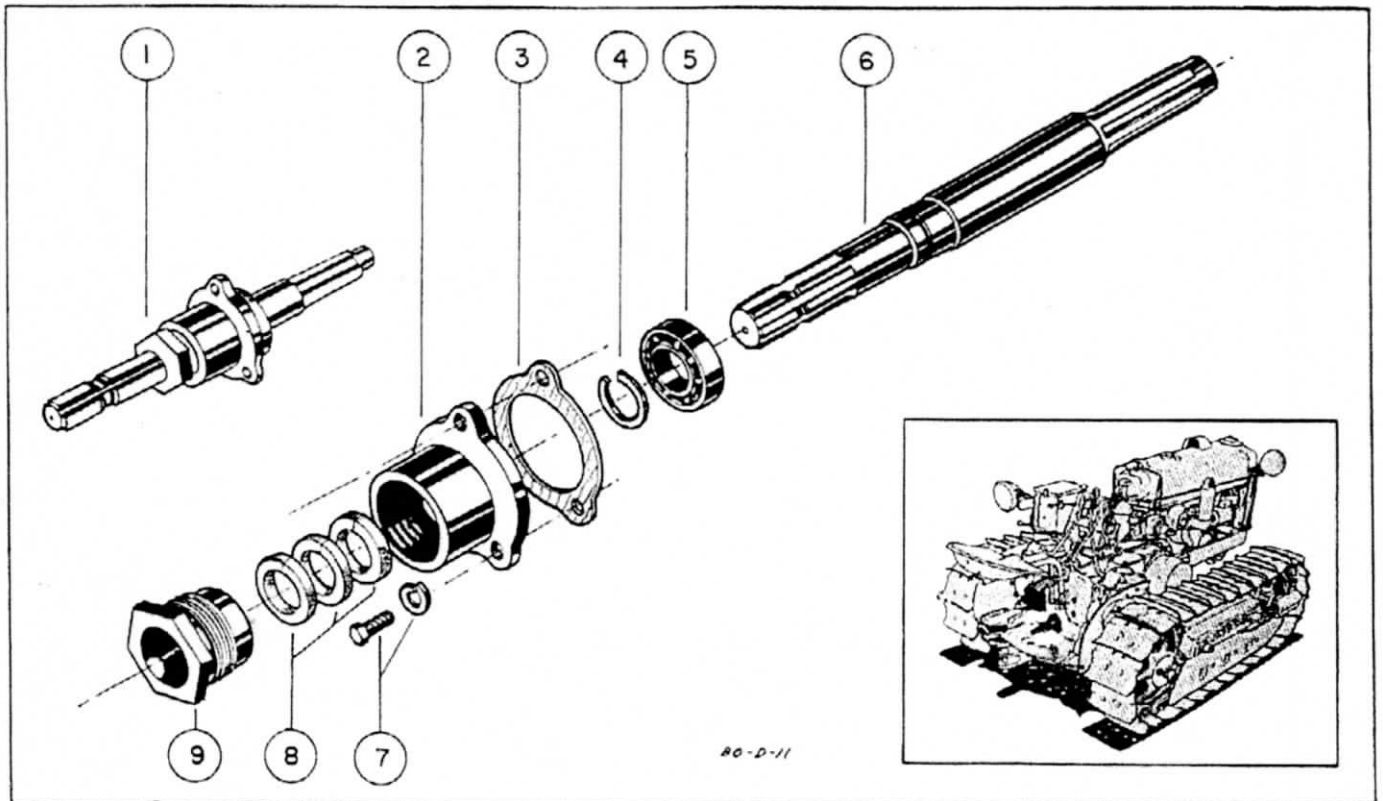


Figure 10
POWER TAKE-OFF



FENDERS

Code	Part No.	Description	Used On Serial No's.	Quant. Per Unit Inst.
1	TE2472	Large Fender (R.H.)*	334515 & UP	1
	TE2473	Large Fender (L.H.)*	334515 & UP	1
2	5003	5/16 Hex Nut (regular)	334515 & UP	2
	5153	5/16 Flat Washer	334515 & UP	2
3	TE474	Standard Fender (R.H.)	334515 & UP	1
	TE475	Standard Fender (L.H.)	334515 & UP	1
4	3451	5/16 x 1 Carrage Bolt	334515 & UP	2
5	TE484	Standard Fender (R.H.)	331717 - 334393	1
	TE485	Standard Fender (L.H.)	331717 - 334393	1
6	TE2481	Large Fender (R.H.)*	331717 - 334514	1
	TE2482	Large Fender (L.H.)*	331717 - 334514	1

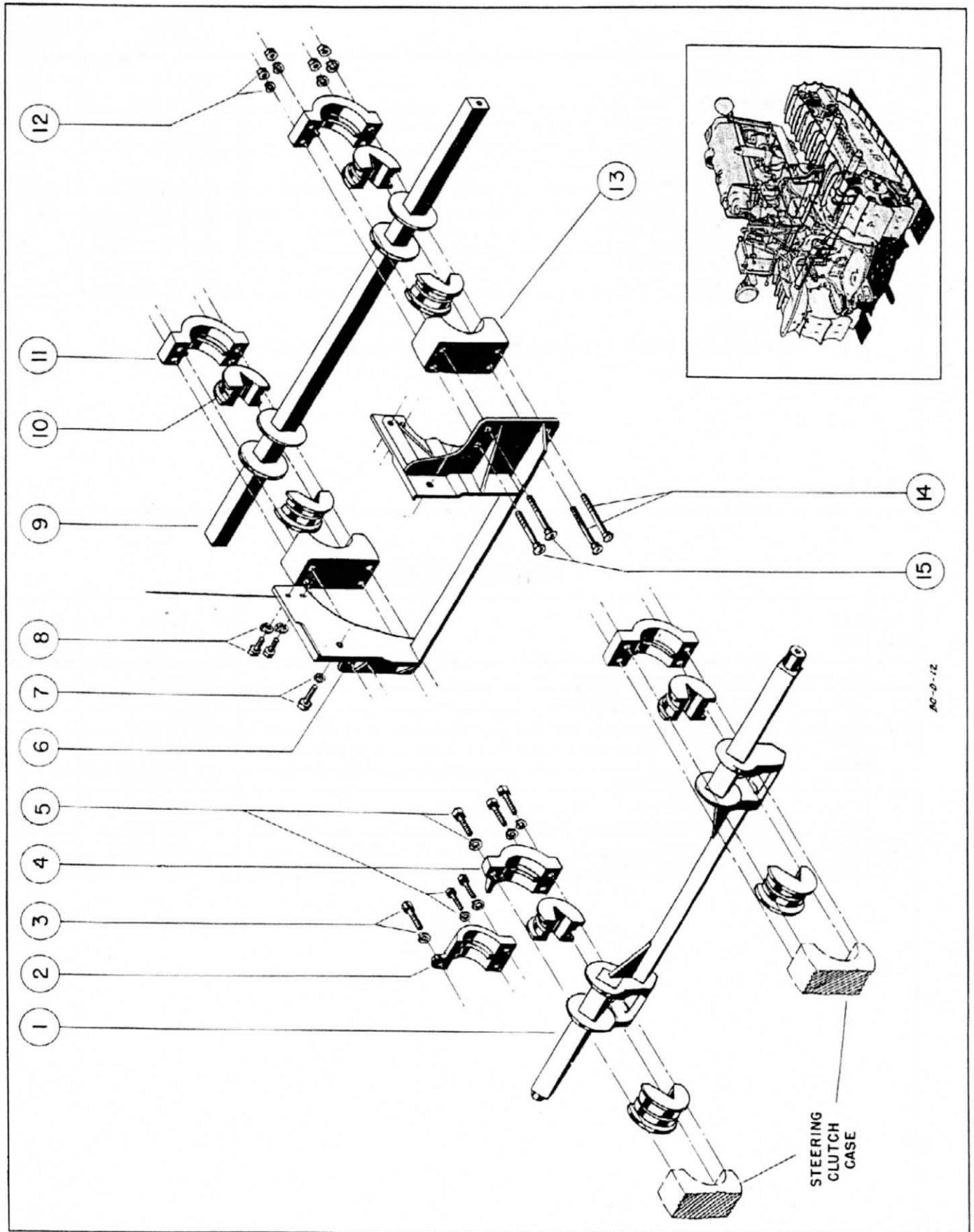
* Special Equipment

◇ Other mounting bolts are Final Drive Case and Steering Clutch Case Installation Bolts

POWER TAKE-OFF

Code	Part No.	Description	Used On Serial No's.	Quant. Per Unit Inst.
1	TE1410	Power Take-Off Assembly	326109 & Up	1
2	TE411	Power Take-Off Stuffing Box	326109 & Up	1
3	TE414	Gasket for 411	326109 & Up	1
4	5791	External Snap Ring	326109 & Up	1
5	6900	Ball Bearing	326109 & Up	1
6	TE410	Power Take-Off Shaft	326109 & Up	1
7	5174	Split Lock Washer	326109 & Up	3
	4045	3/8 x 1-1/4 Hex Head Cap Screw	326109 & Up	3
8	TE413	Packing Rings	326109 & Up	3
9	TE412	Power Take-Off Gland	326109 & Up	1

Figure 11
CARRIER YOKE & CROSS MEMBERS

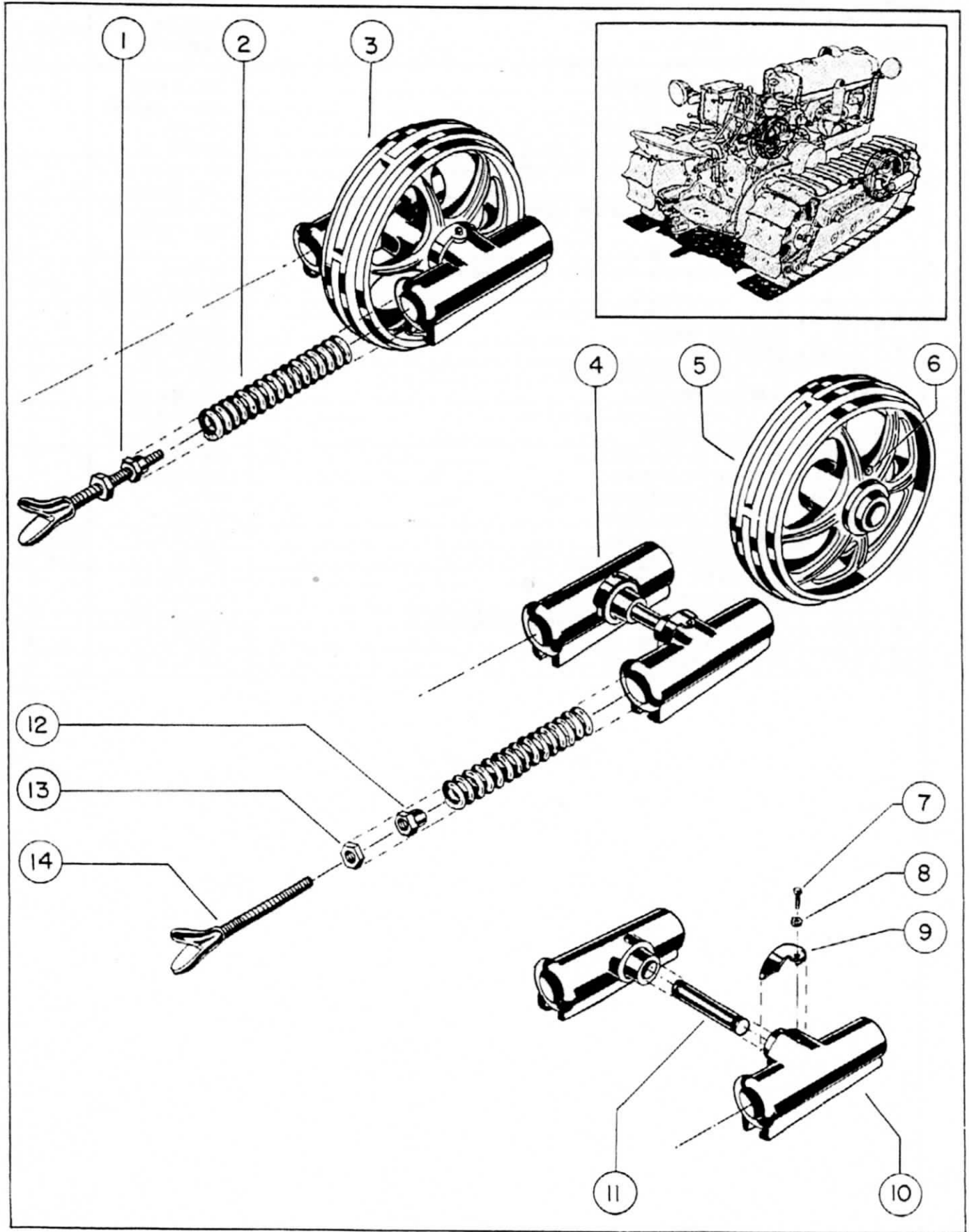


AG-0-12

CARRIER YOKE & CROSS MEMBERS

Code	Part No.	Description	Used On Serial No's.	Quant. Per Unit Inst.
1	TE2071	60" Rear Cross Member.....	326109 & Up Interchangeable with 60" Member	1
	TE2451	66" Rear Cross Member.....		
	TE2073	72" Rear Cross Member.....		
	TE2075	82" Rear Cross Member.....		
2	TE67	Cap for Cross Members Bushing (L.H. rear).....	All Tractors with Self - Starters	1
3	8191	5/8 x 1-1/4 Allen Head Cap Screw.....	All Tractors with Self - Starters	1
	5178	Split Lock Washer.....		
4	TE69	Cap for Cross Member Bushing (L.H. rear).....	All Hand Started Tractors	1
5	4131	5/8 x 2-3/4 Hex Head Cap Screw.....	326109 & Up	7
	5178	Split Lock Washer.....	326109 & Up	7
6	TE2462	Carrier Yoke.....	326109 & Up	1
7	4148	3/4 x 2 Hex Head Cap Screw.....	326109 & Up	2
	5179	Split Lock Washer.....	326109 & Up	2
8	4125	5/8 x 1-1/4 Hex Head Cap Screw.....	326109 & Up	4
	5178	Split Lock Washer.....	326109 & Up	4
9	TE2072	60" Front Cross Member.....	326109 & Up Interchangeable with 60" Member	1
	TE2452	66" Front Cross Member.....		
	TE2074	72" Front Cross Member.....		
	TE2076	82" Front Cross Member.....		
10	TE70	Rubber Bushing (half).....	326109 & Up	8 per Tractor
11	TE68	Cap for Cross Member Bushing (regular).....	326109 & Up	3 per Tractor
12	5008	5/8" Hex Nut (regular).....	326109 & Up	8
	5178	Split Lock Washer.....	326109 & Up	8
13	TE61	Saddle Block (front cross member bushing).....	326109 & Up	2
14	3647	5/8 x 6-1/2 Carriage Bplt.....	326109 & Up	4
15	3646	5/8 x 6 Carriage Bolt.....	326109 & Up	4

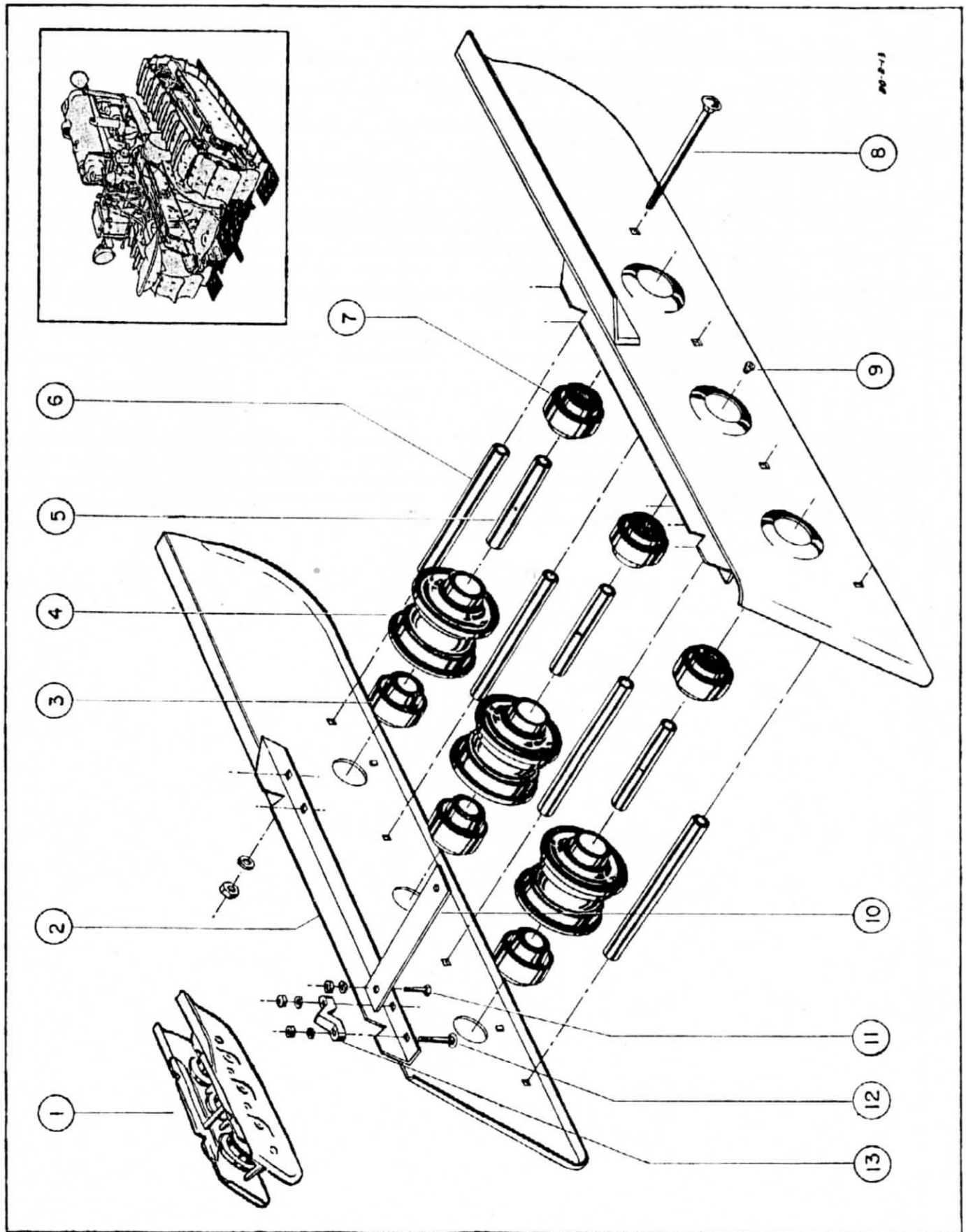
Figure 12
FRONT IDLER



FRONT IDLER

Code	Part No.	Description	Used On Serial No's.	Quant. Per Unit Inst.
1	TE1014	Front Idler Tension Assembly (Incl. 14, 15 & 16).....	326109 & Up	1
2	TE744	Front Idler Tension Spring.....	335482 & Up	1
	TE15	Front Idler Tension Spring.....	326109 - 335481	1
3	TE1021	Front Idler Assembly (Incl. 4 & 5).....	335482 & Up	1
	TE1021	Front Idler Assembly (Incl. 4 & 5).....	326109 - 335481	1
4	TE1742	Front Idler Bracket Assembly (Incl. 9, 10, 11, 12 & 13).....	335482 & Up	1
	TE1012	Front Idler Bracket Assembly (Incl. 9, 10, 11, 12 & 13).....	326109 - 335481	1
5	TE1019	Front Idler Assembly (Incl. front idler TE19 & front idler bearings TE20)...	326109 & Up	1
6	7259	3/8" MPT. Flush Type. Grease Fitting (Alemite No. 1841).....	326109 & Up	1
7	4590	3/8 x 2 - 1/2 Square Head Set Screw.....	335482 & Up	2
	4610	7/16 x 2 - 1/2 Square Head Set Screw.....	326109 - 335481	2
8	5044	Hex Jam Nut (fits 3/8 dia. bolt).....	335482 & Up	2
	5045	Hex Jam Nut (fits 7/16 dia. bolt).....	326109 - 335481	2
9	TE17	Front Idler Dust Shield.....	326109 & Up	2
10	TE742	Front Idler Bracket, R.H.....	335482 & Up	1
	TE12	Front Idler Bracket, L.H.....	326109 - 335481	1
	TE743	Front Idler Bracket, R.H.....	335482 & Up	1
	TE13	Front Idler Bracket, L.H.....	326109 - 335481	1
11	TE18	Front Idler Shaft.....	326109 & Up	1
12	TE16	Front Idler Tension Nut.....	326109 & Up	1
13	3930	Hex Jam Nut (fits 3/4 bolt).....	326109 & Up	1
14	TE2014	Front Idler Tension Bolt.....	326109 & Up	1

Figure 13
TRACK FRAME



TRACK FRAME

Code	Part No.	Description	Used On Serial No's.	Quant. Per Unit Inst.
1	TE1078	Track Frame Assembly, R.H.....	326109 & Up	1
	TE1079	Track Frame Assembly, L.H.....	326109 & Up	1
2	TE2078	Track Frame Member, R.H.....	326109 & Up	1
	TE2079	Track Frame Member, L.H.....	326109 & Up	1
3	TE46	Track Roller Bearing Sleeve (inboard).....	326109 & Up	3
4	TE1044	Track Roller Assembly.....	326109 & Up	3
5	TE745	Track Roller Shaft.....	335396 & Up	3
	TE43	Track Roller Shaft.....	326109 - 335395	3
6	TE23	Track Frame Spacer.....	326109 & Up	4
7	TE45	Track Roller Bearing Sleeve (outboard -- Less grease, fitting).....	326109 & Up	3
8	3652	5/8 x 9 Carriage Bolt.....	326109 & Up	4
	5178	Split Lock Washer (for 5/8 bolt).....	326109 & Up	4
	5008	5/8 Hex Nut (regular).....	326109 & Up	4
9	7259	Grease Fitting -- 3/8 MPT (Alemite No. 1841).....	326109 & Up	3
10	TE22	Track Frame Tie Strap.....	326109 & Up	1
11	4044	3/8 x 1 Hex Head Cap Screw.....	326109 & Up	2
	5174	Split Lock Washer (for 3/8 bolt).....	326109 & Up	2
	5004	3/8 Hex Nut (regular).....	326109 & Up	2
12	3638	5/8 x 4 Carriage Bolt.....	326109 & Up	8
	5178	Split Lock Washer (for 5/8 bolt).....	326019 & Up	8
	5008	5/8 Hex Nut (regular).....	326109 & Up	8
13	TE25	Track Frame Clamp.....	326109 & Up	4

Figure 14
TRACK FRAME COVER

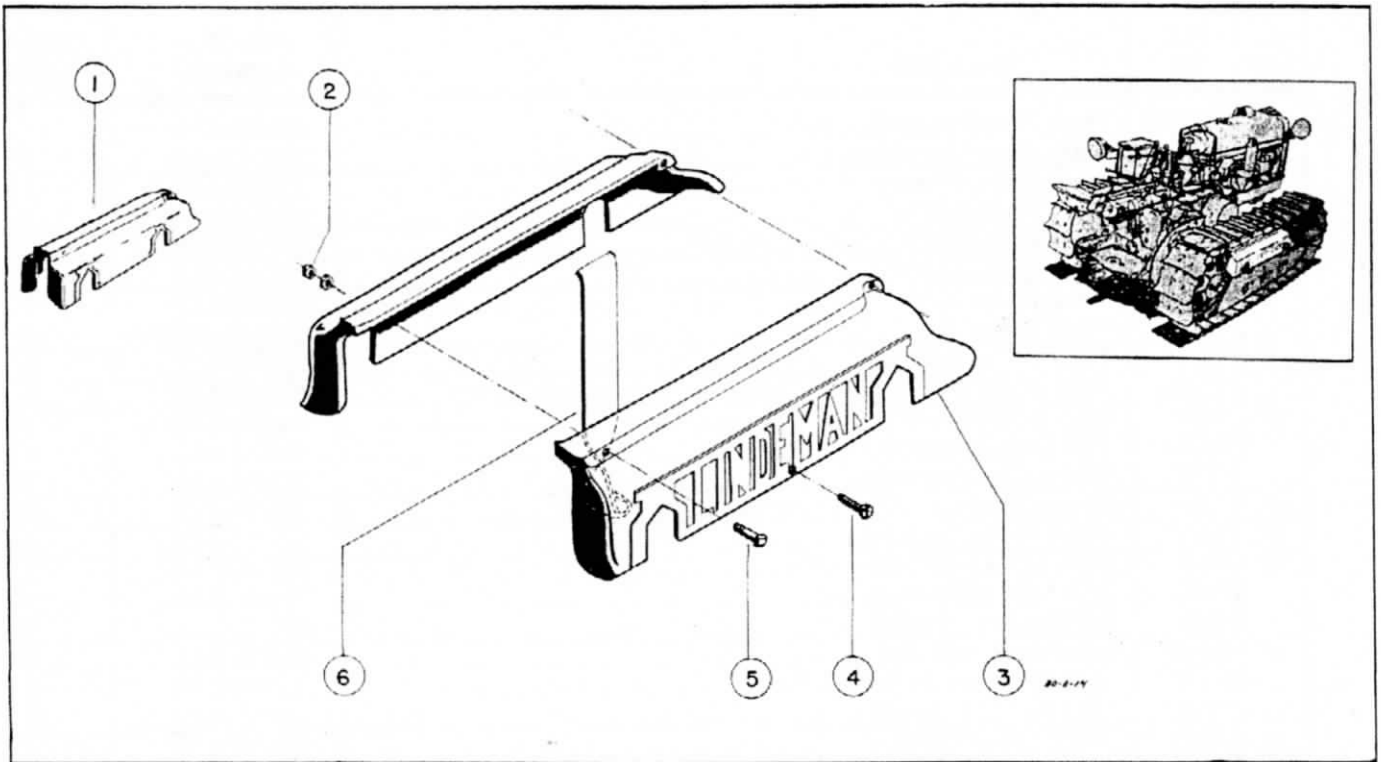
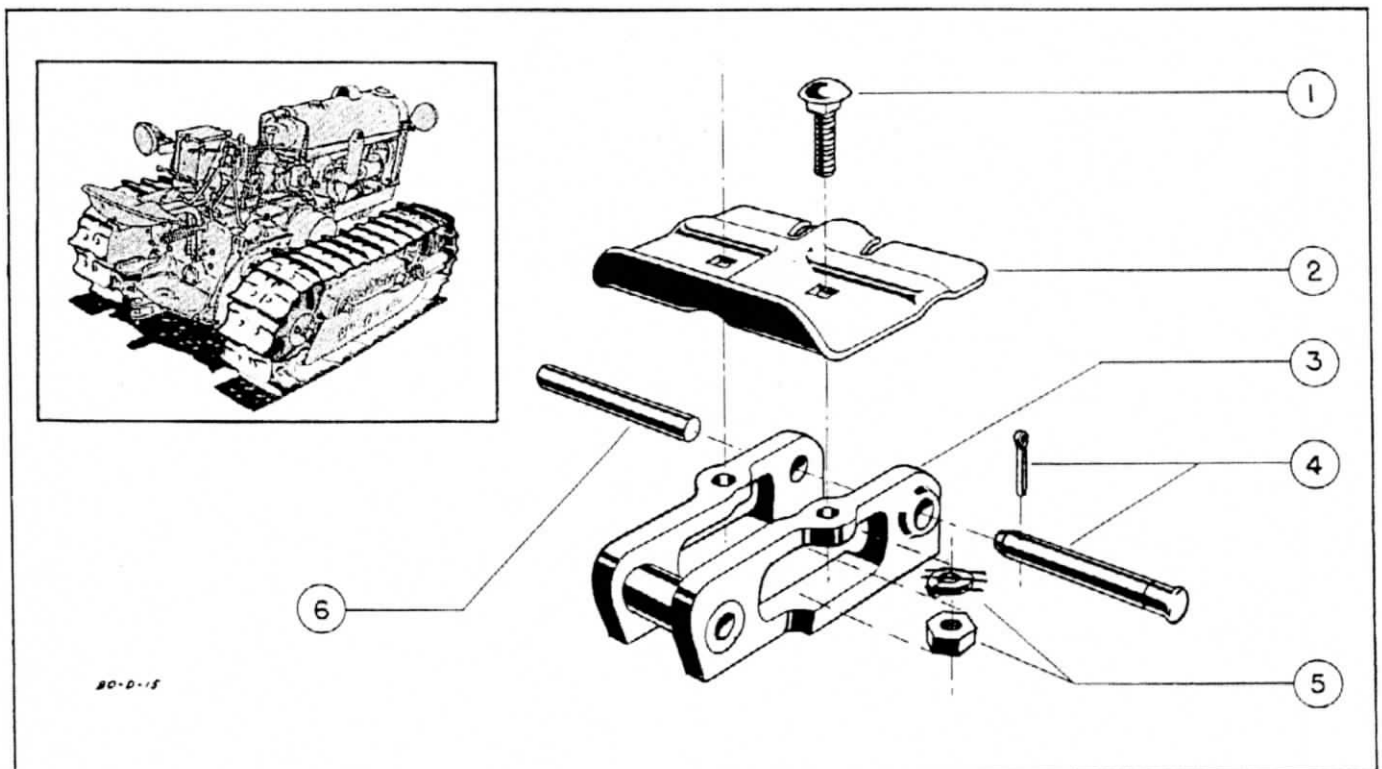


Figure 15
TRACK



TRACK FRAME COVER

Code	Part No.	Description	Used On Serial No's.	Quant. Per Unit Inst.
1	TE1047	Track Frame Cover Assembly.....	326109 & Up	2 per Tractor
2	5004	3/8 Hex Nut (regular).....	326109 & Up	2
	5174	Split Lock Washer.....	326109 & Up	2
3	TE47A	Track Frame Cover (R.H.).....	326109 & Up	1
	TE48A	Track Frame Cover (L.H.).....	326109 & Up	1
4	8046	Self-Tapping Screw.....	335534 & Up	1
5	3090	3/8 x 3 -1/2 Machine Bolt.....	326109 & Up	2
6	TE49	Lock, Track Frame Cover.....	326106 - 335533	1

TRACK

Code	Part No.	Description	Used On Serial No's.	Quant. Per Unit Inst.
1	TE24	Track Bolt.....	326109 & Up	2 per Link (56 per track)
2	TE39*	10" Track Shoe.....	326109 & Up	28 per Track
	TE40	12" Track Shoe.....	326109 & Up	28 per Track
	TE41*	14" Track Shoe.....	326109 & Up	28 per Track
3	TE1028	Track Link.....	332394 & Up	27
	TE1030	Track Link (R.H.).....	332394 & Up	1
	TE1031	Track Link (L.H.).....	332394 & Up	1
4	TE 34A	Track Lock Pin.....	326109 & Up	1
	5313	Cotter Pin.....	326109 & Up	1
5	5188	Split Lock Washer.....	326109 & Up	56
	3908	5/8 Hex Head Heavy Nut.....	326109 & Up	56
6	TE35	Track Pin, Plain.....	326109 & Up	27

*Special Equipment

INSTRUCTIONS SERVICE & ADJUSTMENTS

MOTOR & TRANSMISSION See John Deere Tractor Instruction Book

STEERING SYSTEM

ADJUSTMENT CLUTCH THROW-OUT LEVER

Steering clutch throw-out levers should be adjusted so that lever has from 1" to 1-1/2" free movement at top of lever before lever engages clutch throw-out mechanism. This adjustment is made by screwing in or out the adjusting screw inside steering clutch housing cover. When making this adjustment loosen lock nut and be certain this is again tightened before replacing cover.

ADJUSTMENT STEERING CLUTCH BRAKE

This adjustment is made by turning in or out brake adjusting screw which extends through rear of clutch housing.

WARNING

The steering clutches in this tractor are of the conventional multiple disc type, commonly used in crawler tractors, except that the steering brakes are operated by the clutch throw-out lever instead of by a separate foot lever. Consequently the brake adjusting screw should never be tightened to a point where the brake band makes contact with brake drum before the clutch is completely released. Failure to observe this precaution will cause hard steering and within a very short time cause failure of the clutch through charring and burning the clutch facings. If the clutch is operated for some time in this manner it will also cause warping of the steel driving discs which will necessitate replacement of these parts also. Reasonable care in making this adjustment will eliminate all this trouble.

TRACK SYSTEM

TRACK ADJUSTMENT

The front idlers are adjustable to take care of both track tension and alignment. Tracks should be carried as loosely as possible without striking case shield over track frame. Inspect front idler occasionally for uneven wear on sides of idler rim. This indicates improper and uneven adjustment of front idler tension bolts and these should be adjusted to eliminate all this condition.

REAR SPROCKETS

Sprockets are adjustable on rear axles to allow for different widths of treads but should always be set exactly in center of track frame and lower track wheels. When a new tractor is first used the sprockets should be checked every few hours to be sure that no shift out of line has occurred, as this will cause wear to both track and sprocket.

DRAWBAR

SWINGING DRAWBAR

Except for plowing or other jobs where absolutely necessary, the drawbar should be allowed to swing. Pinning the drawbar in central position causes hard steering and excessive wear in steering parts.

LINDEMAN MANUFACTURING CO.

Yakima, Washington

LUBRICATION INSTRUCTIONS

LINDEMAN-JOHN DEERE "BO" CRAWLER TRACTOR MOTOR

See John Deere Lubrication chart in instruction book furnished with tractor.

MAGNETO

See John Deere Lubrication chart in instruction book furnished with tractor.

TRANSMISSION

Drain transmission case and refill every 500 hours with three gallons extreme pressure gear lubricant. The transmission oil should always be maintained level with the transmission test plug at rear of transmission case.

Use the following grades of oil:

<u>Grade of</u> <u>Oil</u>	<u>Air</u> <u>Temperature</u>
SAE 160	32° F. & Up
SAE 90	Below 32° F.

EVERY FIVE HOURS

STEERING CLUTCH THROW-OUT BEARING

Four shots of zirk gun with good quality front wheel bearing grease of high temperature grease with a melting point of approximately 200° F. These bearings should be greased regularly, but not excessively, as too much grease will only spread into the clutch facing and brake band.

STEERING LEVER

Use oil can daily.

EVERY TEN HOURS

LOWER TRACK WHEELS

Use a viscous grease similar to Alemite viscous "H", for summer and the regular weight for temperature below 40°F. Use about 1/4 gun full for each lower track wheel every ten hours. If this amount shows that it is excessive, reduce slightly.

FINAL DRIVE

Same oil as Transmission, Capacity 1 Qt. Keep level with filler opening.

FRONT IDLERS

Same as lower track wheels.

